

Technical data sheet

Black powder-coated steel bend, without thread

Item number: 2046828



90° bend with moulded sleeves, for electrical installation pipes according to EN 61386-1. With burr-free inner wall.



- St** Steel
- PE50** PES50 - Polyester/epoxy

Master data

Item number	2046828
Type	SBN40 SW
Description 1	Conduit plug-in bend
Description 2	without thread
Manufacturer	OBO
Dimension	Ø40mm
Colour	Jet black; RAL 9005
Material	Steel
Surface	PES50 - Polyester/epoxy
Surface standard	
Smallest sales unit	15
Unit of quantity	Piece
Weight	68.9 kg
Weight unit	kg/100 pc.
CO2 Footprint (GWP) Cradle-to-Gate	1,5921 kg CO2e / 1 Piece

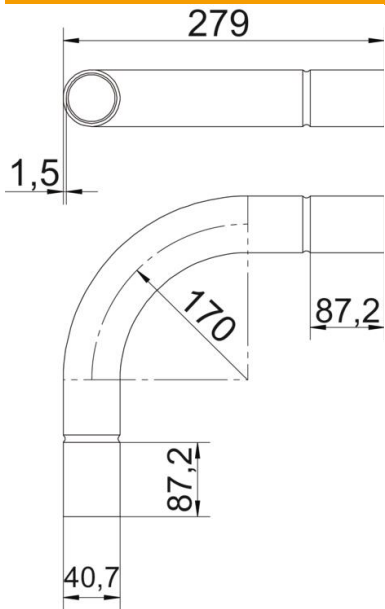
Technical data sheet

Black powder-coated steel bend, without thread

Item number: 2046828



Dimensions



Dimension A	87.2 mm
Dimension B	279 mm
Dimension D	43.7 mm
Dimension d	40.7 mm
Dimension l	50 mm
Dimension m (mm)	M40
Dimension R	170 mm
Dimension t	1.5 mm

Technical data

Version for	Connector
Flexible	no
For nominal pipe diameter	40 mm
Halogen-free	no
With inspection opening and lid	no
With sleeve	yes
Brushed surface	no
Polished surface	no
Angle of the bend	90 °
Two-part	no