

# Mounting instructions

WDK cable trunking

---

**WDK cable trunking**  
*Mounting instructions*

## Table of Contents

|          |   |          |
|----------|---|----------|
| <b>1</b> | <b>About these instructions</b>         | <b>5</b> |
| 1.1      | Target group                            | 5        |
| 1.2      | Relevance of these instructions         | 5        |
| 1.3      | Types of warning information            | 5        |
| 1.4      | Darstellungskonventionen                | 6        |
| 1.5      | Basic standards and regulations         | 6        |
| 1.6      | Applicable documents                    | 6        |
| <b>2</b> | <b>Intended use</b>                     | <b>7</b> |
| <b>3</b> | <b>Safety</b>                           | <b>7</b> |
| 3.1      | General safety information              | 7        |
| 3.2      | Personal protective equipment           | 7        |
| <b>4</b> | <b>Necessary tools</b>                  | <b>8</b> |
| <b>5</b> | <b>Mounting the WDK cable trunking</b>  | <b>8</b> |
| 5.1      | WDK mini trunking                       | 8        |
| 5.1.1    | Mini trunking system description        | 8        |
| 5.1.2    | Mounting the WDK mini trunking          | 9        |
| 5.2      | WDK/WDKH plastic cable trunking systems | 11       |
| 5.2.1    | System description, WDK                 | 11       |
| 5.2.2    | Mounting the WDK(H) cable trunking      | 13       |
| 5.3      | Mounting the WDK universal trunking     | 34       |
| 5.3.1    | System description                      | 34       |
| 5.3.2    | Mounting the universal trunking         | 35       |



# 1 About these instructions

## 1.1 Target group



These instructions are intended for the following target groups:

- Trained electrical specialists charged with mounting the cable routing systems
- Electrical planners and engineers charged with the planning of cable routing systems

Electrical work may only be carried out by specialist personnel with electrical training.

## 1.2 Relevance of these instructions



These instructions are based on the standards valid at the time of compilation (April 2026).

Please read the instructions carefully before starting mounting. We will not accept any warranty claims for damage caused through non-observance of these instructions.

Any images are intended merely as examples. Mounting results may look different.

These instructions are intended as assistance in the mounting, maintenance and overhauling of cable routing systems and makes no claims as to completeness.

All the documents supplied with the product must be stored in an easily accessible location, so as to be available when information is required.

The manufacturer will not accept liability for damage caused through non-observance of these mounting instructions.

Regional and seasonal factors were not taken into account.

## 1.3 Types of warning information



### Type of risk!

Shows a risky situation. If the safety instruction is not observed, then serious or fatal injuries may occur.

**ATTENTION**

### Type of risk!

Shows a hazardous situation. If the safety instruction is not observed, then damage to the product or the surroundings may occur.

### Note!

*Indicates important information or assistance.*

### 1.4 Darstellungskonventionen

Erläuterung der verwendenden Darstellungen:



Richtige Bauweise



Falsche Bauweise

### 1.5 Basic standards and regulations

- DIN EN 50085, VDE 0604-2-1:2012-09 “Cable trunking systems and cable ducting systems for electrical installations”
- DIN VDE 0100 – Part 410: Protection measures
- DIN VDE 0100 – Part 520: Selection and erection of electrical equipment/Protection against external electrical influences (EMC)
- DIN VDE 0105: Operation of electrical installations (general requirements)
- DIN VDE 0107: Heavy-current installations in medical rooms
- DIN VDE 0298: Application of cables and cords in power installations
- EN 50310: Telecommunications bonding networks for buildings and other structures
- EN 50174: Information technology – Cabling installation
- DIN 4102: Fire Behaviour of Building Materials and Building Components
- EN 50642: Cable management systems – Test method for content of halogens
- Safety regulations for office workstations
- Protection against unauthorised access, e.g. in administrations, military or similar
- Shock protection for protection areas for civil defence

### 1.6 Applicable documents

- Declaration of conformity, see <https://www.obo.de/service/downloads/konformitaetserklaerungen/gebaeudeinstallation/leitungsfuehrungs-systeme/>
- Symbol approvals, see <https://www.obo.de/service/downloads/zertifikate/gebaeudeinstallation/leitungsfuehrungs-systeme/>

## 2 Intended use

Cable routing systems are manufactured according to the standard and may only be used for routing cables. Electrical installation devices (e.g. sockets, data technology supports or multimedia connections) with a rated voltage of up to 400 V can be installed in the cable routing systems. Depending on the version, the cable routing systems are designed for use at different ambient temperatures. The cable routing systems are approved for use in dry interior areas.

## 3 Safety

### 3.1 General safety information

Observe the following general safety information:

- Contact with electrical current can lead to an electric shock.
- Risk of cutting from plate edges.
- Electrical work may only be carried out by specialist personnel with electrical training.
- Cable routing systems may not act as supports for people or heavy objects.
- Observe the fire protection specifications when erecting systems for the maintenance of electrical function.
- Improper mounting or mounting deviating from the manufacturer's specifications may cause the cable routing system to collapse.
- Depending on the version, the cable routing systems are designed for use at different ambient temperatures.
- Do not stand on painted or coated surfaces, in order to prevent damage to the surfaces.

### 3.2 Personal protective equipment

List of personal protective equipment to be used:



Use hand protection



Wear safety shoes



Wear eye protection

### 4 Necessary tools

List of tools to be used:

- Screwdriver
- Saw
- Drill
- Battery-operated screwdriver

### 5 Mounting the WDK cable trunking

#### 5.1 WDK mini trunking

##### 5.1.1 Mini trunking system description

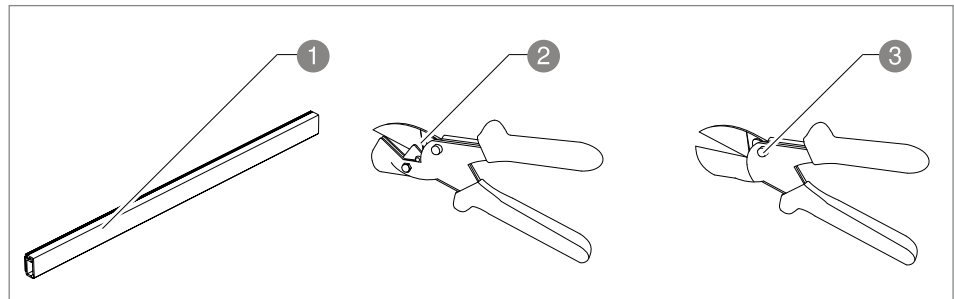


Fig. 1: Overview, WDK mini trunking

① WDK mini trunking

##### 5.1.1.1 Accessories (optionally available):

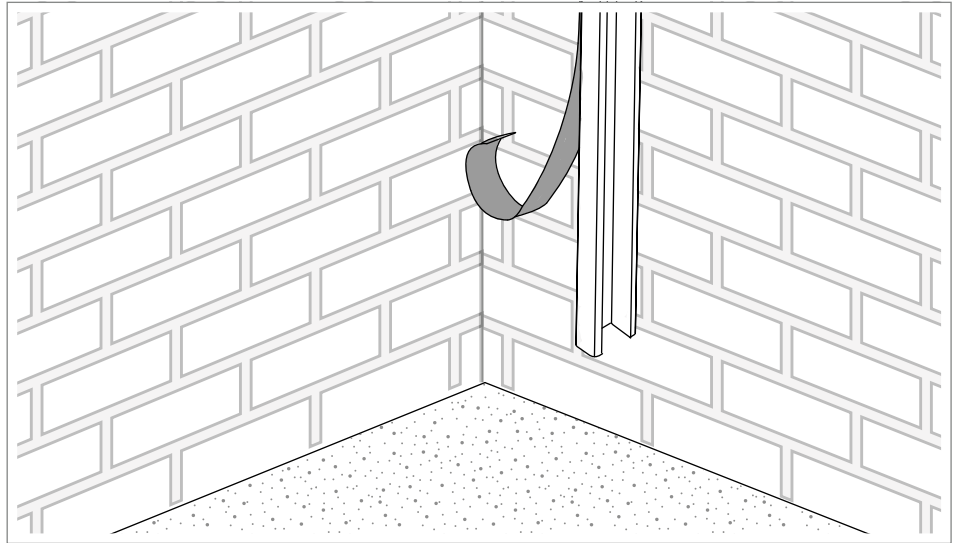
② Shears for straight cuts (item no. 6028403)

③ Shears for mitre cuts (item no. 6028411)

The WDK mini trunking is used to route very small amounts of cables. The mini trunking is available in heights of 4 to 17 mm. With an adhesive film in the base area, mini trunking is suitable for direct mounting on the wall. Mini trunking is either equipped with a hinge cover or taper in the upper area of the WDK mini trunking to fix a cable. The main areas of application are administrative buildings, the commercial sector and industry. The plastic system is available in the colours pure white, cream white, traffic white and light grey. No fittings are available.



### 5.1.2 Mounting the WDK mini trunking

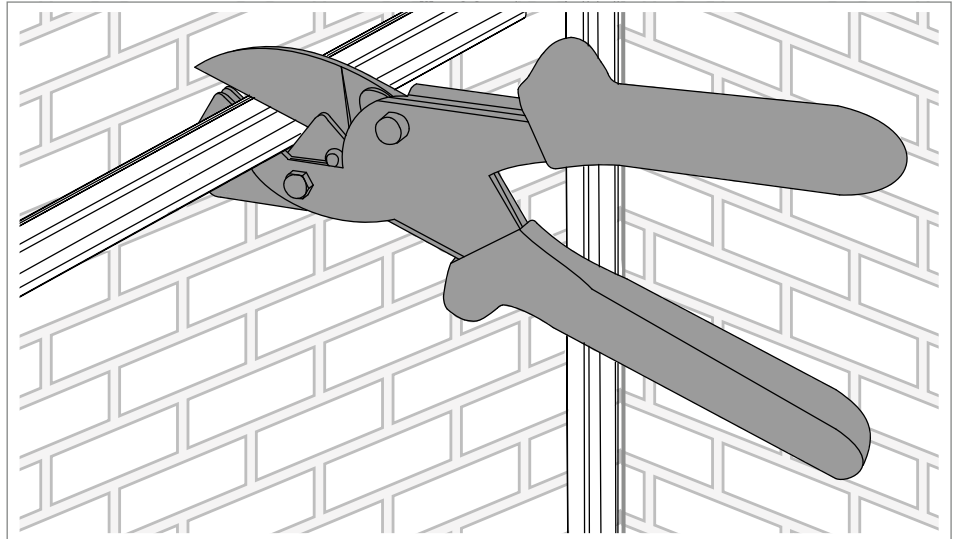


**Fig. 2:** Mounting the WDK mini trunking

1. Remove the protective film.
2. Stick the WDK mini trunking ① to a dust-free, adherent substrate.

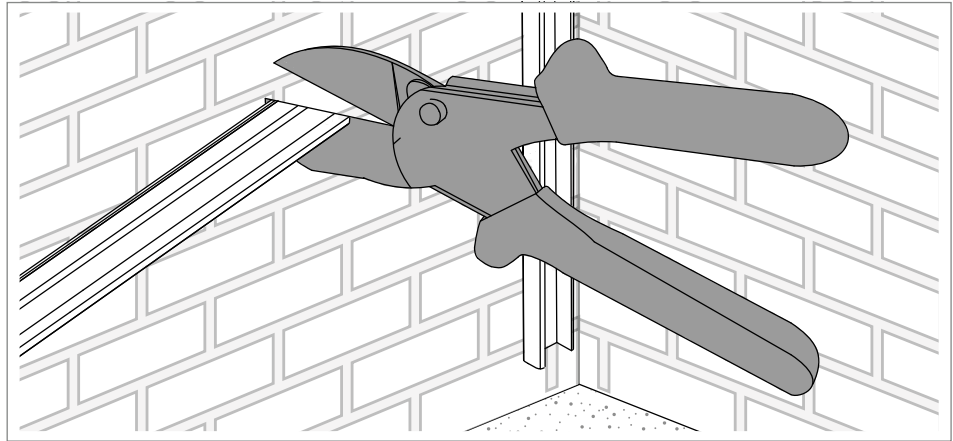
**Note!**

*When cutting the WDK mini trunking, two different sets of shears are available (for straight and mitre cuts).*



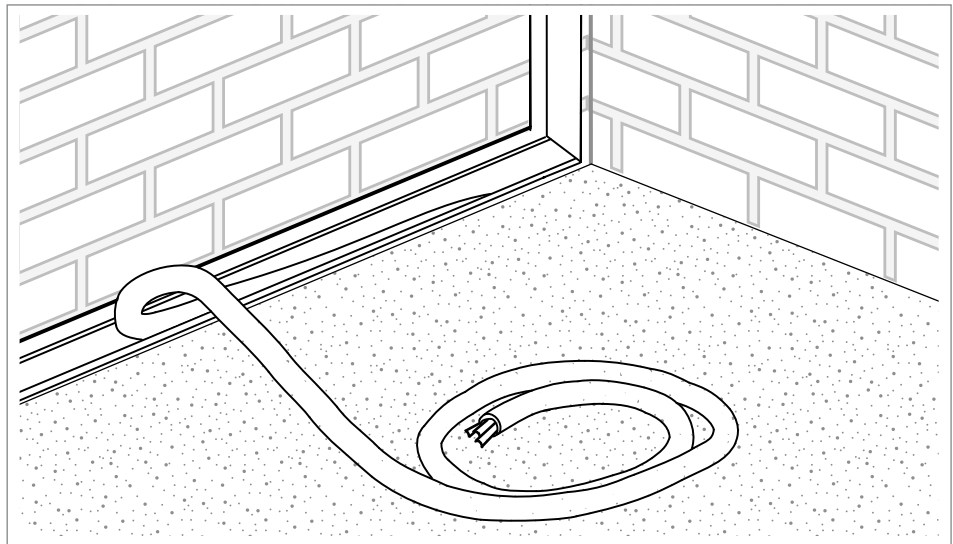
**Fig. 3:** Straight cuts: Cutting the WDK mini trunking

3. Cut the WDK mini trunking in the desired position ① with the shears-for straight cuts ②.



**Fig. 4:** Mitre cuts: Cutting the WDK mini trunking

4. Cut the WDK mini trunking in the desired position ① with the shears for mitre cuts ③.

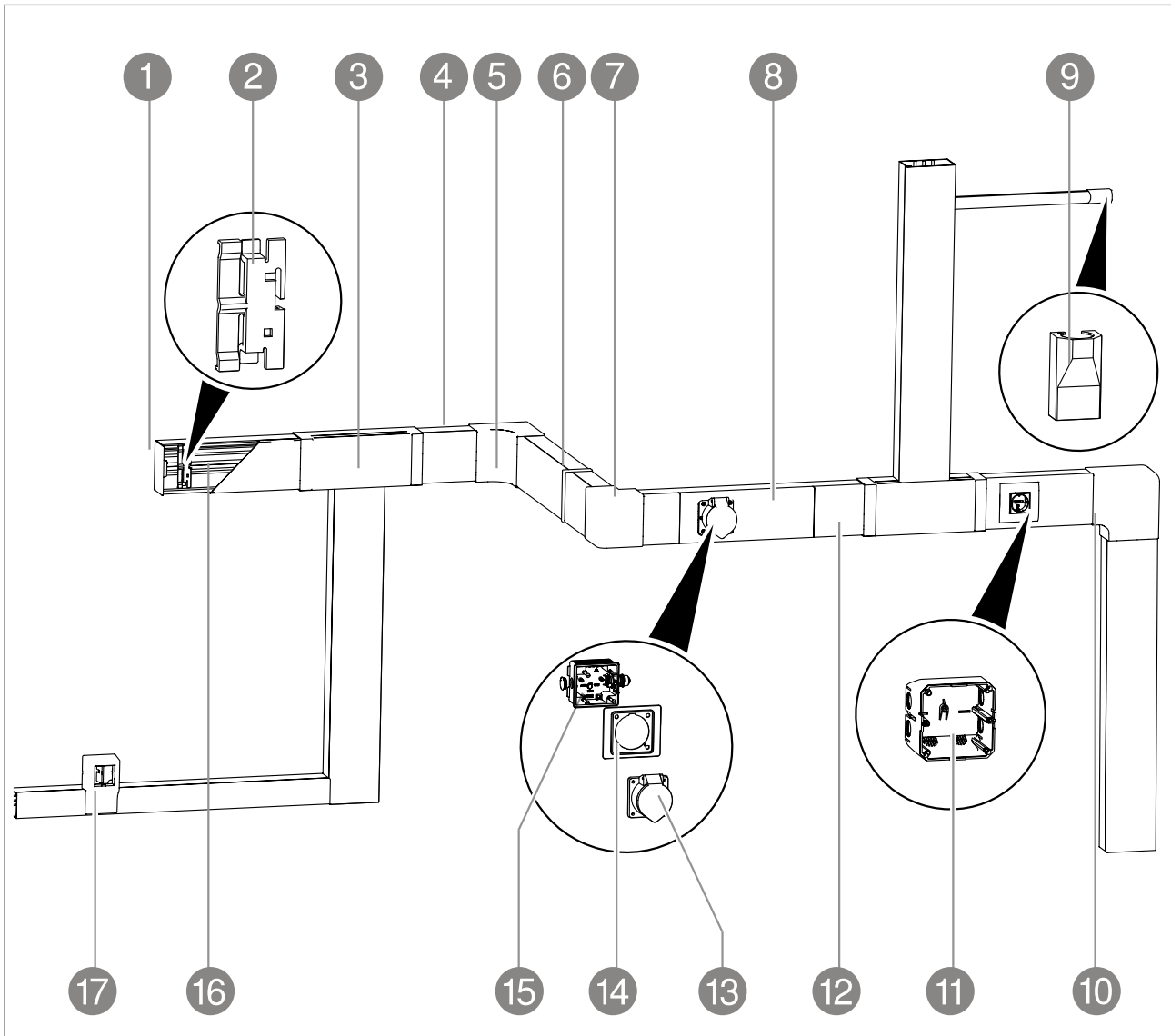


**Fig. 5:** Insert cables

5. Insert the cables in the WDK mini trunking ①.
6. Engage the cover with the hinge function on the WDK mini trunking ①.

## 5.2 WDK/WDKH plastic cable trunking systems

### 5.2.1 System description, WDK




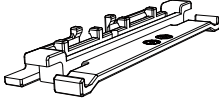
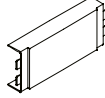
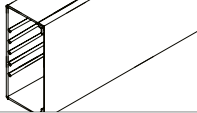
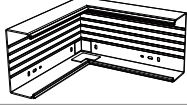
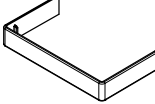
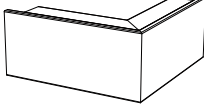
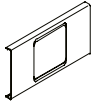


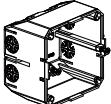


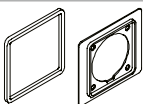
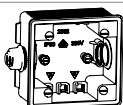

**Abb. 6:** Overview, WDK cable trunking system

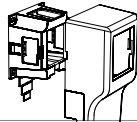
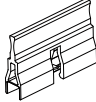

Various component parts belong to the WDK cable trunking system:

**Note!** *Not every fitting is available for each type. The equipment of the individual WDK cable trunking systems varies.*

**Note!** *The mounting of the halogen-free variant is identical. The difference is solely in the material properties.*

## Mounting the WDK cable trunking

| Item no. | Designation                                      | Figure  | Function  |
|----------|--|---|---|
| 1        | End piece  |    | End piece for closing the WDK cable trunking at the trunking ends.  |
| 2        | Cover clip                                       |    | Cover clip for better and easier laying of the cables in the WDK cable trunking   |
| 3        | T and cross piece cover<br>T piece               |    | T and cross piece to change the direction of WDK cable trunking. Available as cover fitting or fixed fitting.                                       |
| 4        | WDK(H) cable trunking                            |    | WDK cable trunking for routing cables on the wall or ceiling. With base perforation in the trunking base for mounting directly on the wall/ceiling. |
| 5        | Internal corner cover<br>Internal corner         |    | Internal corner to change the direction of WDK cable trunking. Available as cover fitting or fixed fitting.   |
| 6        | Joint cover                                      |    | Joint cover for hiding cut edges and for smooth connection of trunking segments.  |
| 7        | External corner cover<br>External corner         |   | External corner to change the direction of WDK cable trunking. Available as cover fitting or fixed fitting.   |
| 8        | Cover for single device<br>installation socket   |  | Cover for closing a device installation socket with mounted socket in the WDK cable trunking.   |
| 9        | Pipe adapter                                     |  | Pipe adapter for transferring an installation pipe to the WDK cable trunking.   |
| 10       | Flat angle cover<br>Flat angle                   |  | Flat angle to change the direction of WDK cable trunking. Available as cover fitting or fixed fitting.  |
| 11       | Device installation socket for<br>Schuko sockets |  | Device installation socket for the installation of devices of support ring and support clamp design in WDK cable trunking of 60 mm trunking height. |
| 12       | Cover  |  | Cover for closing the WDK cable trunking.   |
| 13       | CEE connection unit                              |  | CEE socket for mounting in device installation sockets. Available with 16 A and 32 A.   |
| 14       | Adapter flange                                   |  | Adapter flange for mounting CEE sockets in a device installation socket.  |
| 15       | Accessory socket for CEE<br>socket               |  | Device installation socket for the installation of a CEE socket in WDK cable trunking of 60 mm trunking height.                                     |
| 16       | Partition  |  | Partition to divide the WDK cable trunking for the installation of different voltage levels.  |

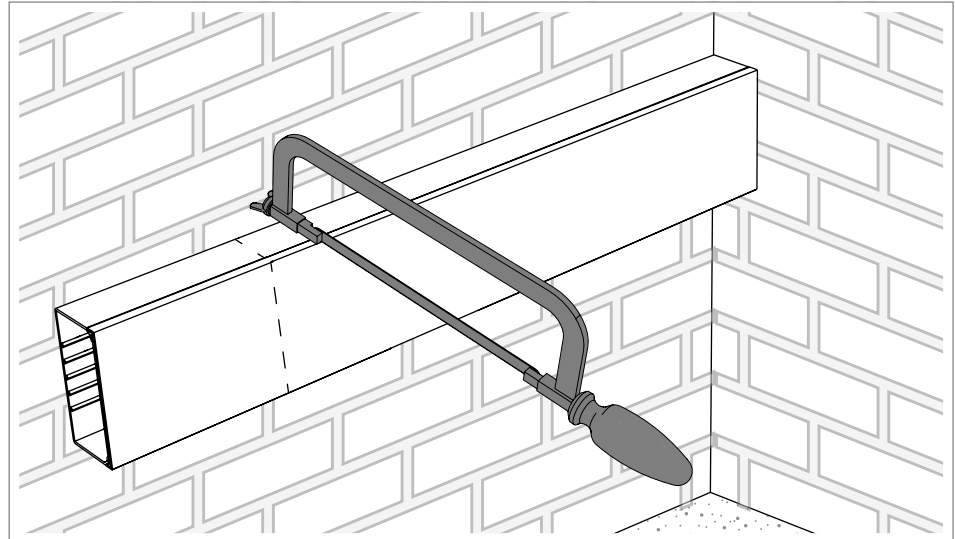
| Item no. | Designation       | Figure  | Function  |
|----------|-------------------|---|---|
| 17       | Device support    |  | Device support for mounting on WDK cable trunking of the types WDK 12022, WDK 15030, WDK15040 and WDK 20050. The device support is only suitable for accepting Modul 45® devices. |
| 18       | Mounting aid      |  | Mounting aid for the WDK cable trunking for single-handed mounting.   |
| 19       | Universal adapter |  | Universal adapter for the direct installation of plastic cable ducts or equipment mounting ducts using installation tools.  |

**Tab. 1:** Product overview, WDK cable trunking

The WDK cable trunking is used to simplify cable routing. Thanks to its base perforation, the WDK cable trunking is suitable for direct wall mounting. The core application is in administrative buildings, commercial areas and in industry. The plastic system is available in the colours stone white, cream white, light grey, pure white, sepia brown, jet black and traffic white.

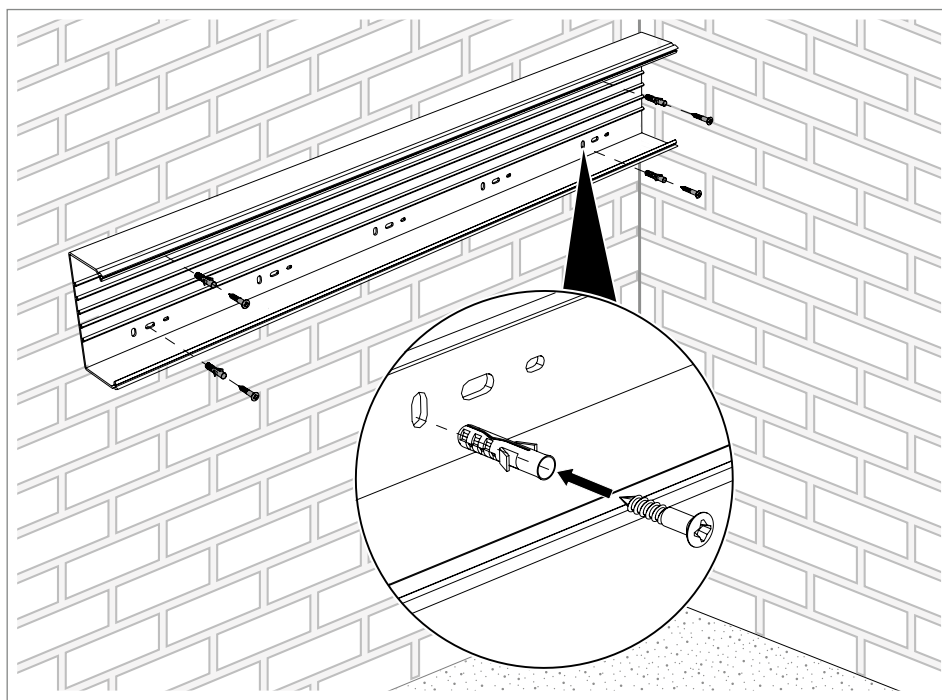
The WDK cable trunking is available in different sizes. Together with the device installation sockets, the WDK cable trunking of 60 mm trunking height can be used as device installation trunking.

### 5.2.2 Mounting the WDK(H) cable trunking



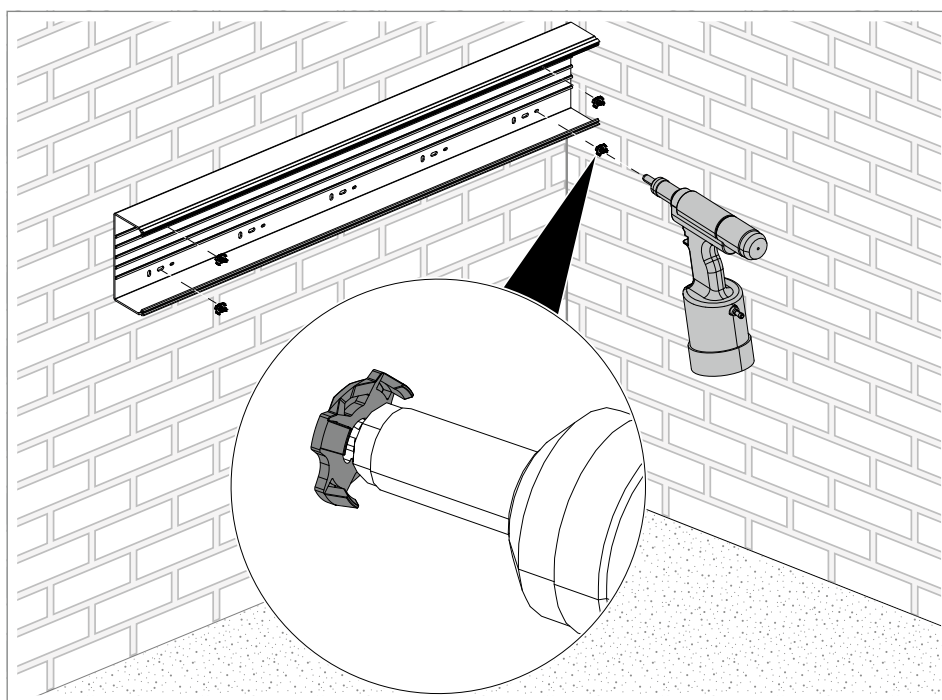
**Fig. 7:** Adjusting the WDK cable trunking

1. Adjust the WDK cable trunking ④ to the desired length using a suitable tool (e.g. saw).



**Fig. 8:** Mounting the WDK cable trunking

2. Fasten the WDK cable trunking ④ to the wall in the slots using suitable fastening material (e.g. screw and anchor).

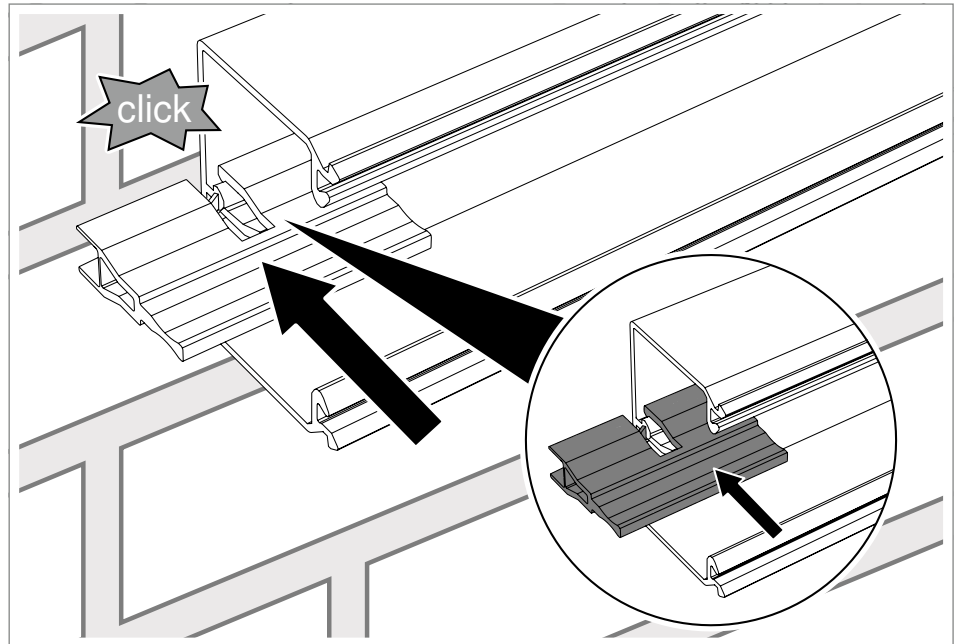


**Fig. 9:** Mounting the WDK cable trunking

2. Fasten the WDK cable trunking ④ to the wall in the slots using the universal adapter ⑲ in the slotted holes.

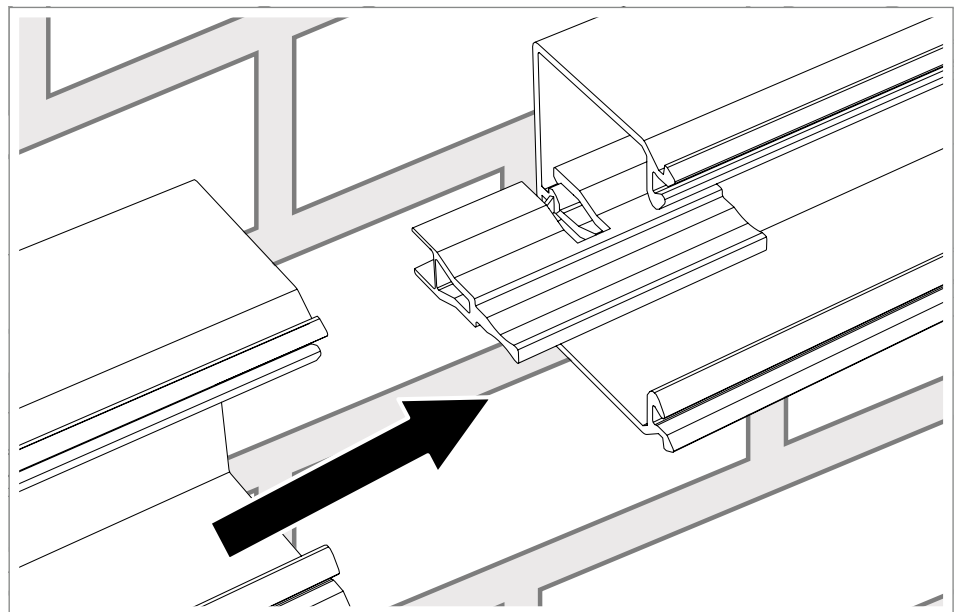
### 5.2.2.1 Using a mounting aid

Mounting aid for the WDK cable trunking for single-handed mounting. Simply snap onto the mushroom profile in the base of the WDK cable trunking. For the WDK cable trunking type 4060 and higher.



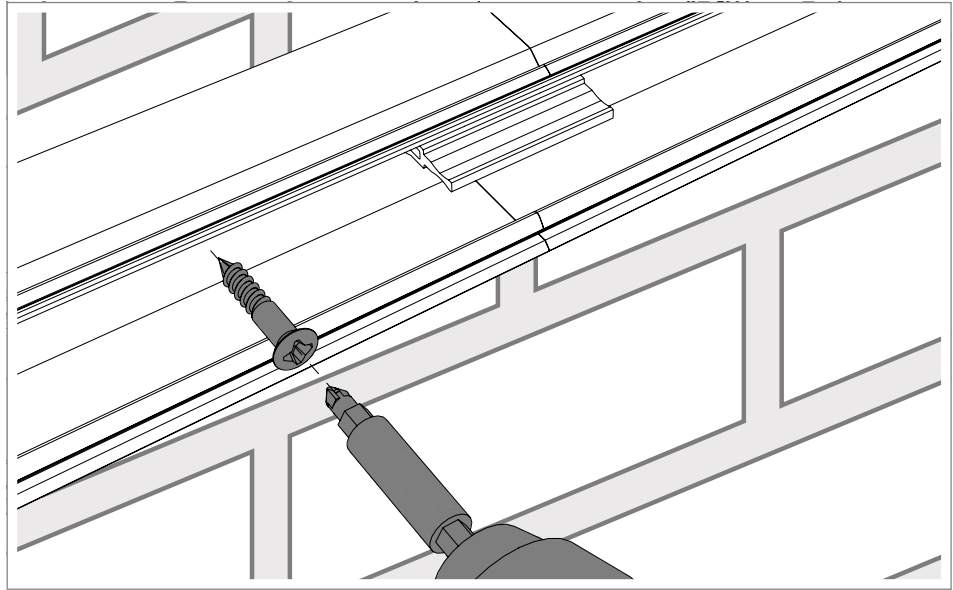
**Fig. 10:** Mounting the mounting aid

1. Snap the mounting aid **18** onto the mushroom profile in the base of the trunking.



**Fig. 11:** Mounting the WDK cable trunking

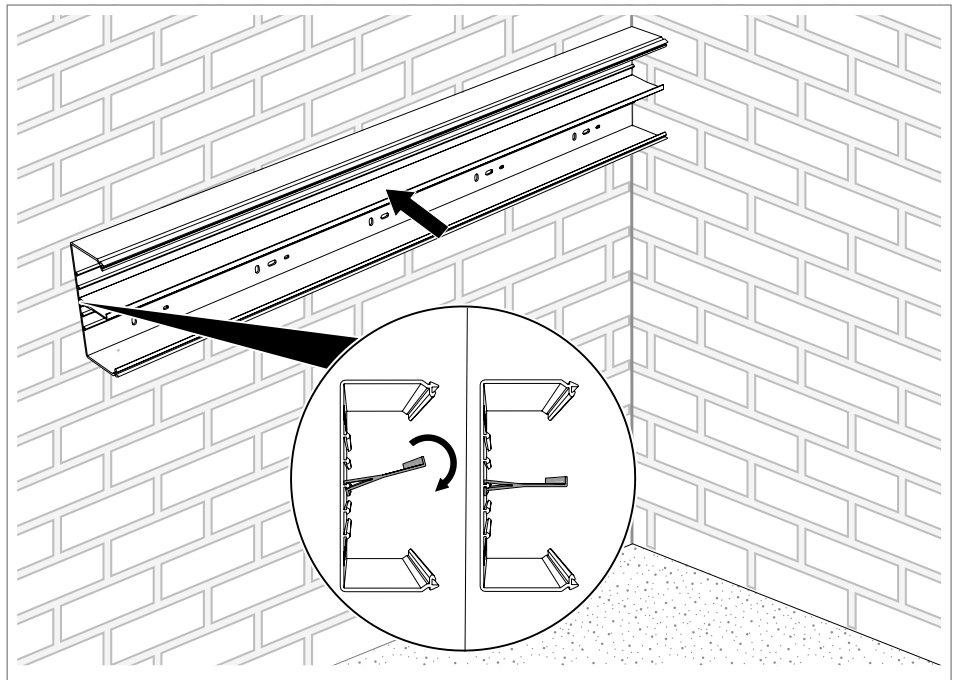
2. Push the WDK cable trunking **4** onto the mounting aid **18**.



**Fig. 12:** Screwing the WDK cable trunking tight

3. Screw the WDK cable trunking ④ tight.

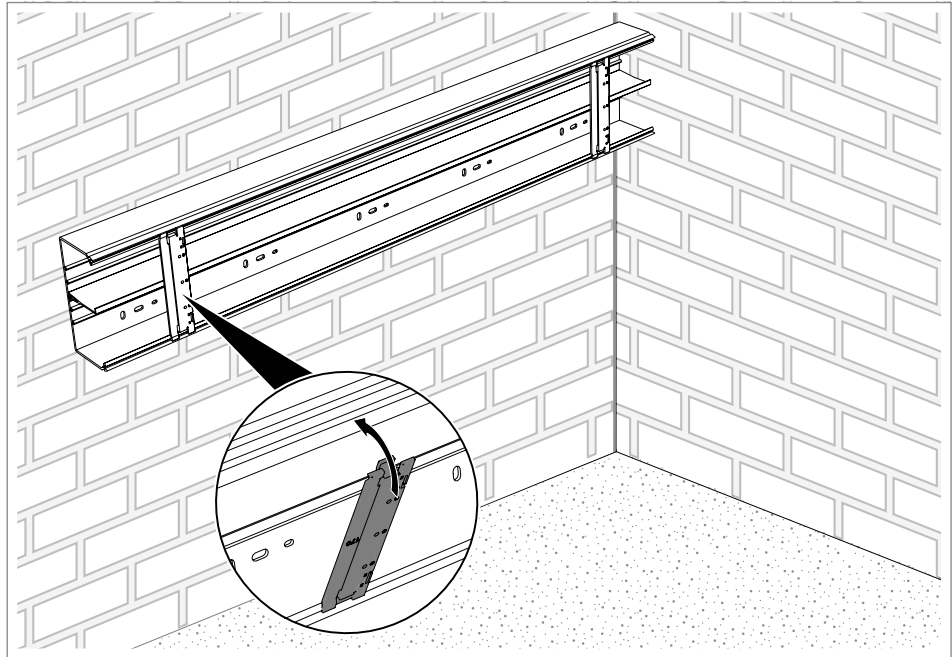
### 5.2.2.2 Mounting accessories



**Fig. 13:** Mounting the partition

1. Place the top locking lug of the partition ⑩ behind the mushroom profile. Then, engage the partition ⑩.





**Fig. 14:** Mounting cover clips

2. Snap the cover clips ② onto the bottom section of the WDK cable trunking at a 30° angle. Then, snap the cover clips ② in the top section.
3. Insert the cables in the WDK cable trunking ④.

As standard, from a trunking width of 60 mm, four cover clips of type 2370.. are snapped onto the base profile to retain the cables and fix the partition.

The cover clips are positioned freely on the locking contour of the trunking base and can be moved along the entire length of the trunking.

**Note!**

*The partition must have been mounted before the cover clips are mounted. Mounting them at a later time is very difficult.*

**ATTENTION**

**Damage to the cable routing system through raised junction boxes!**

The stability of the WDK cable trunking can be increased using the cover clips, although only to a certain extent. Only fill the WDK cable trunking with small cable loads when mounting them under the ceiling.

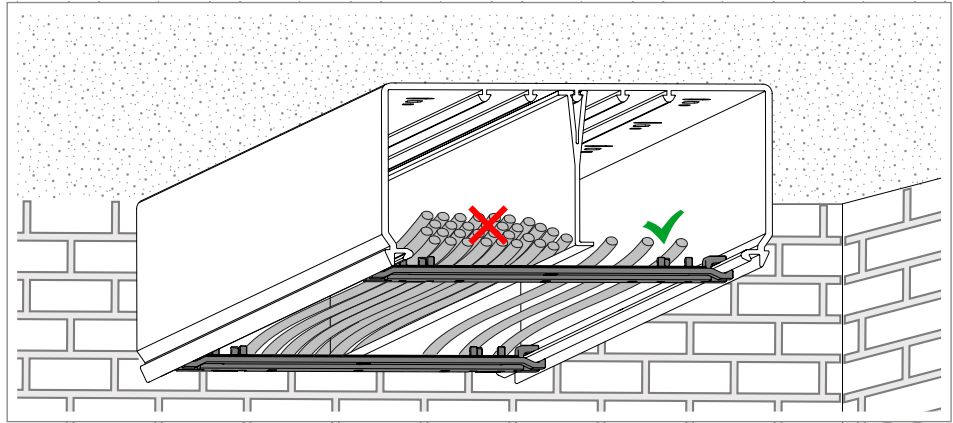


Fig. 15: Mounting under the ceiling

4. Only fill the WDK cable trunking ④ with small cable loads when mounting it under the ceiling or collect the cable weights with suitable means of fastening.

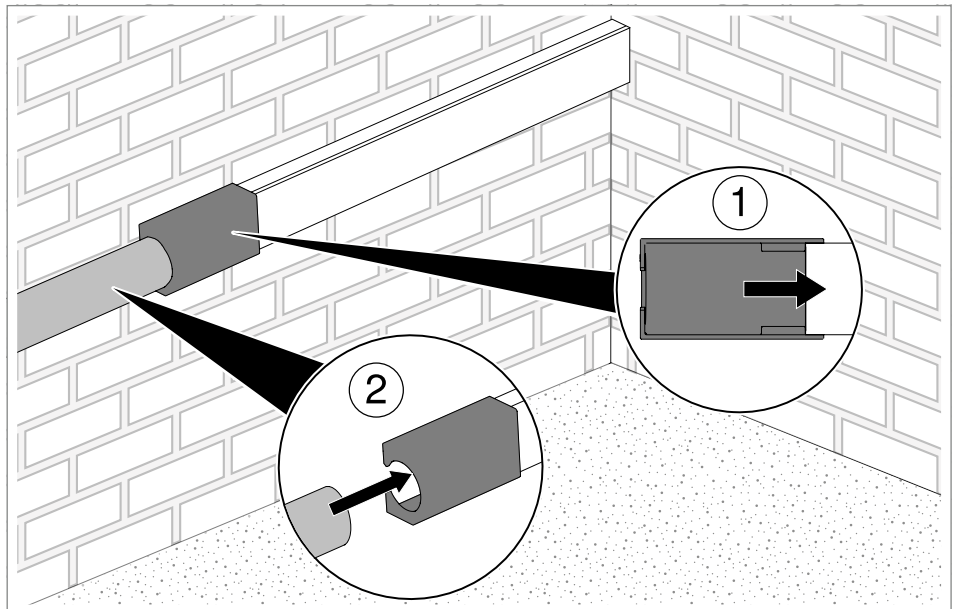


Fig. 16: Mounting the pipe adapter

**Note!**

*The pipe adapter can only be used in combination with the WDK cable trunking, type 13025.*

5. Attach the pipe adapter ⑨ to the end of the WDK cable trunking ④.
6. Snap the pipe into the pipe adapter ⑨.

5.2.2.3 Mounting accessories

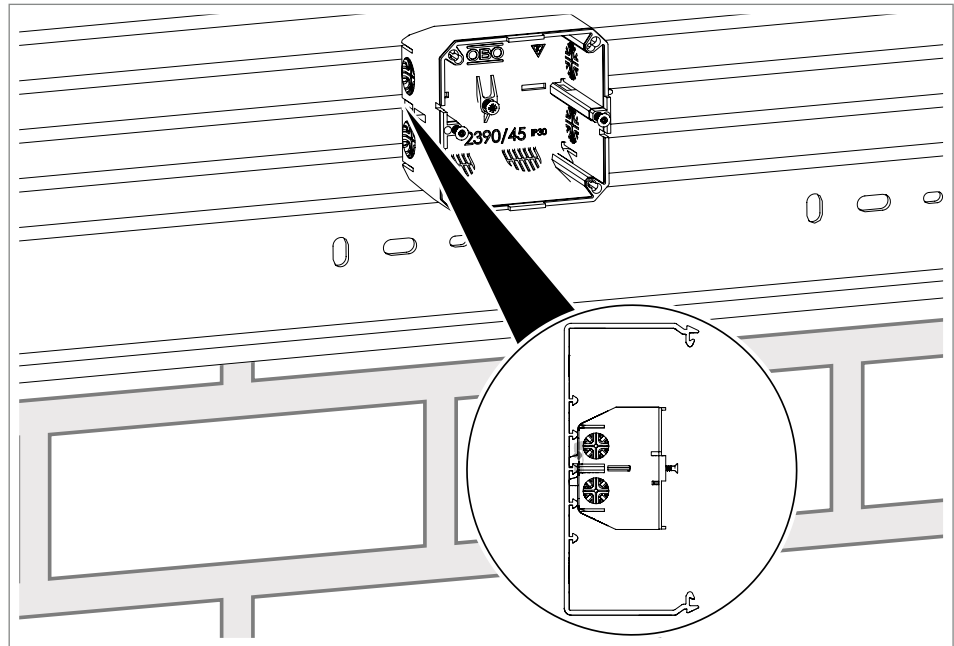


Fig. 17: Mounting the device installation socket for Schuko sockets

1. Snap the device installation socket for Schuko sockets 11 onto the mushroom profile in the base of the WDK cable trunking 4.

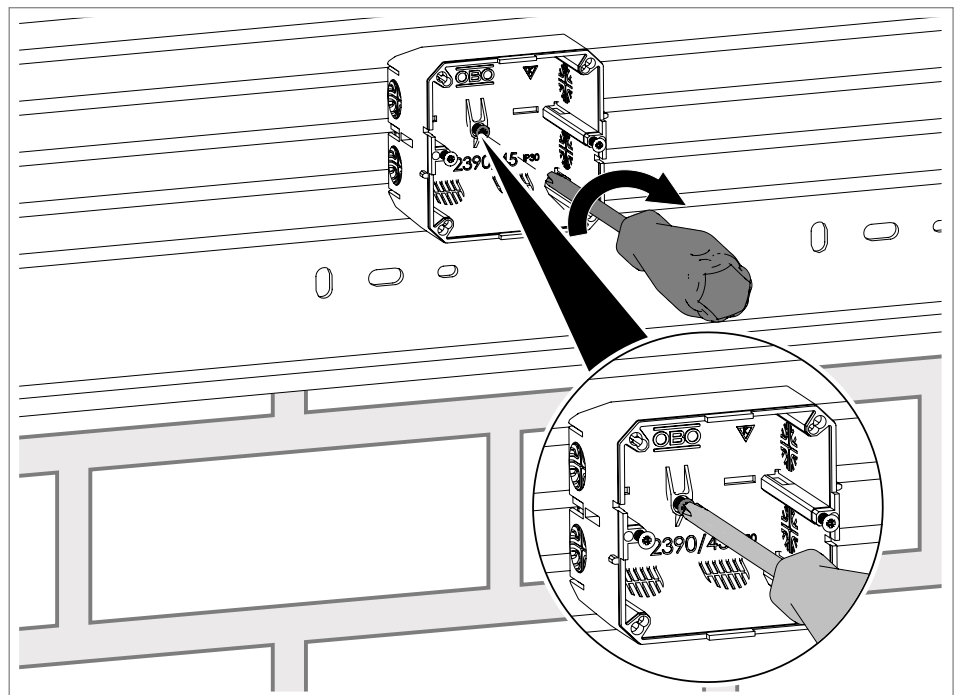


Fig. 18: Screwing on the device installation socket for Schuko sockets

2. Screw the device installation socket for Schuko sockets 11 tight in the base of the WDK cable trunking 4 using the pre-mounted screw.

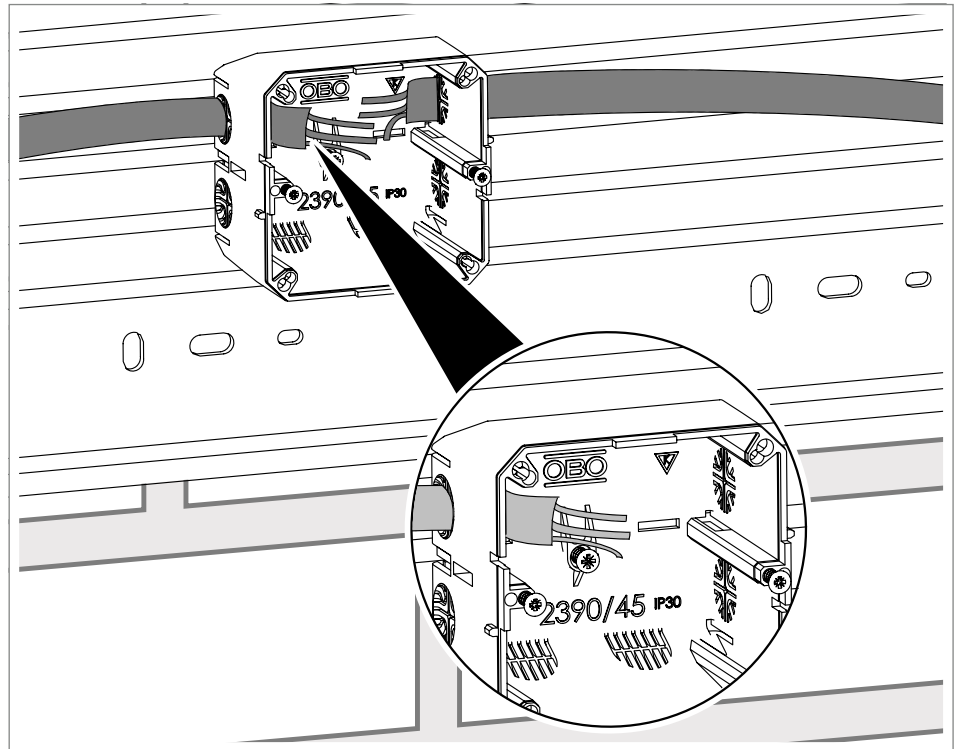


Fig. 19: Inserting the cable

3. Insert the cables in the device installation socket for Schuko sockets  
①.

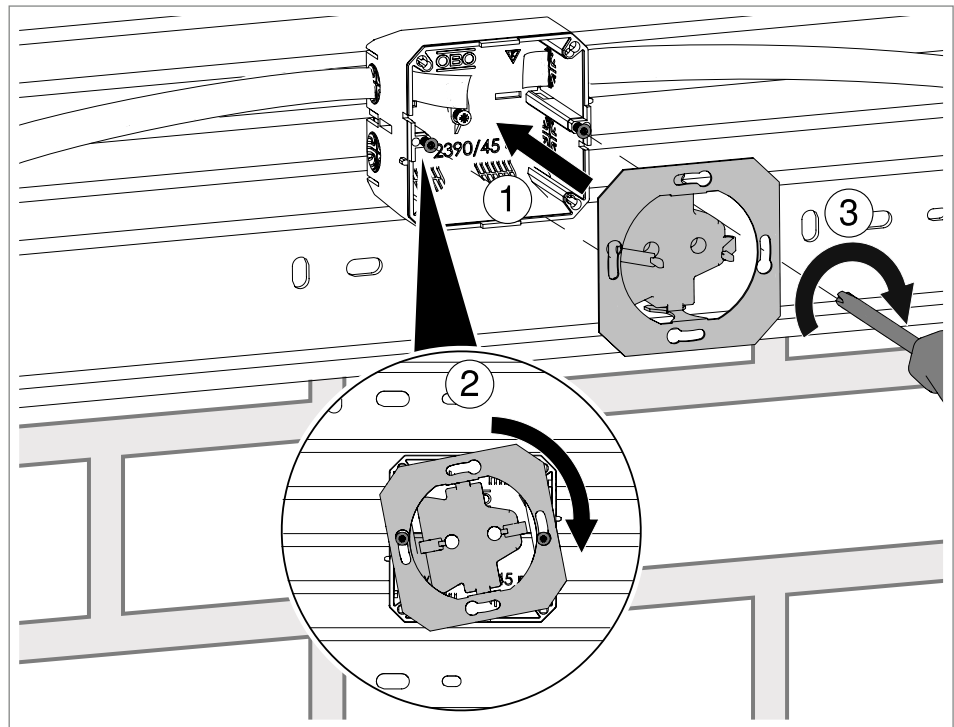


Fig. 20: Connecting the socket

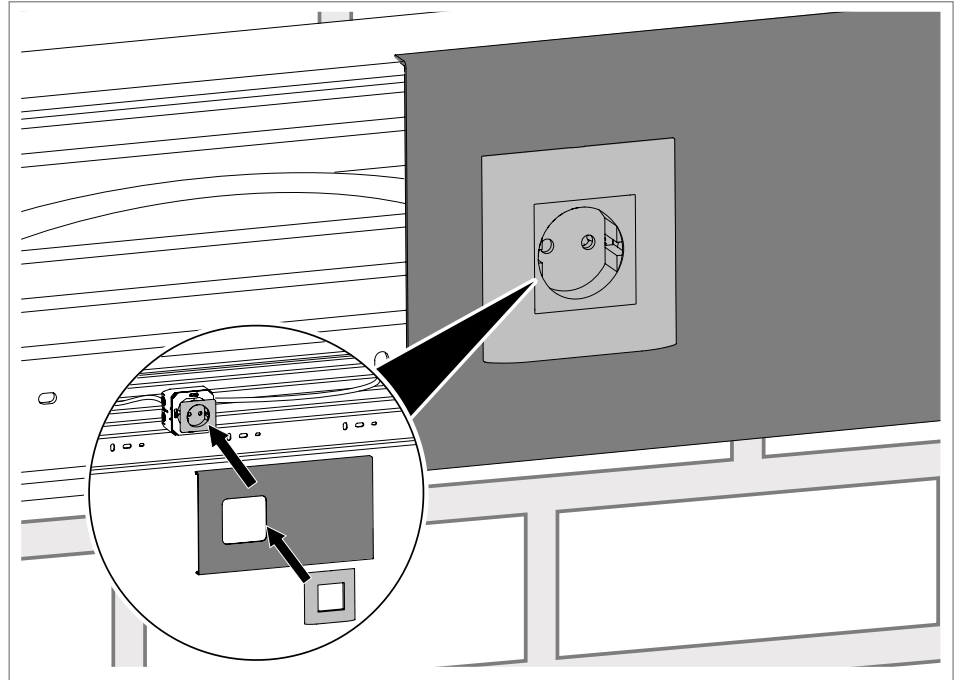


**WARNING**

**Risk to life through electric shock!**

Energised components! Electrical installation work may only be carried out by an electrical engineer.

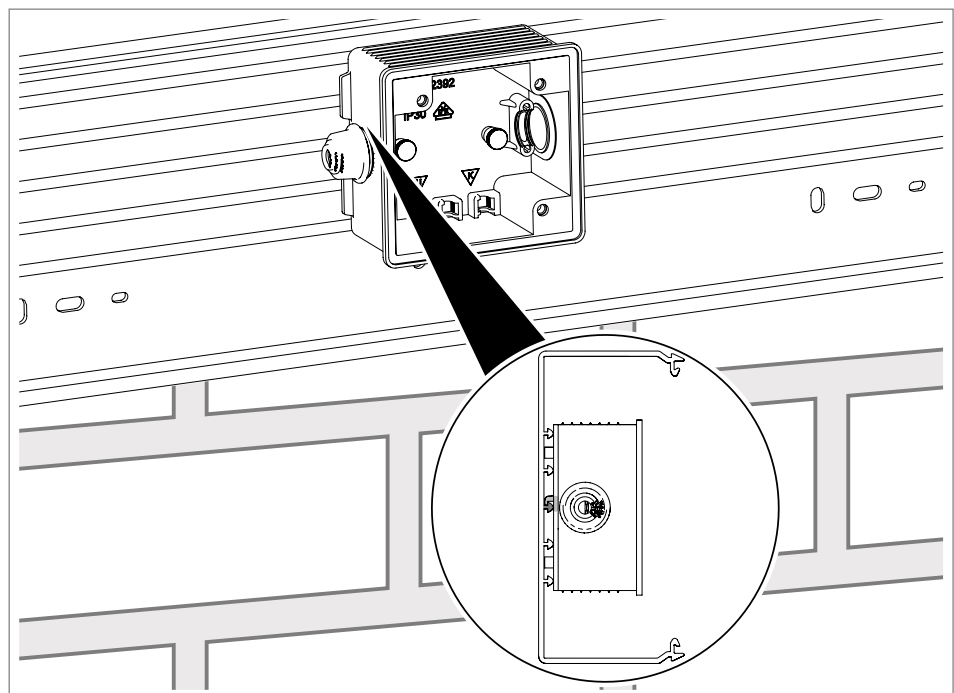
4. Connect the socket and insert it into the device installation socket for Schuko sockets ⑪ (①).
5. Lock/turn the socket (②).
6. Screw the socket tight with the pre-mounted external screws (③).



**Fig. 21:** Screwing on the device installation socket for Schuko sockets

7. Close the device installation socket for Schuko sockets ⑪ and WDK cable trunking ④ with the cover ⑫ and cover frame.

#### 5.2.2.4 Mounting the CEE socket



**Fig. 22:** Mounting the device installation socket for CEE sockets

1. Hang the device socket for CEE sockets <sup>15</sup> on the mushroom profile in the base of the WDK cable trunking <sup>4</sup>.

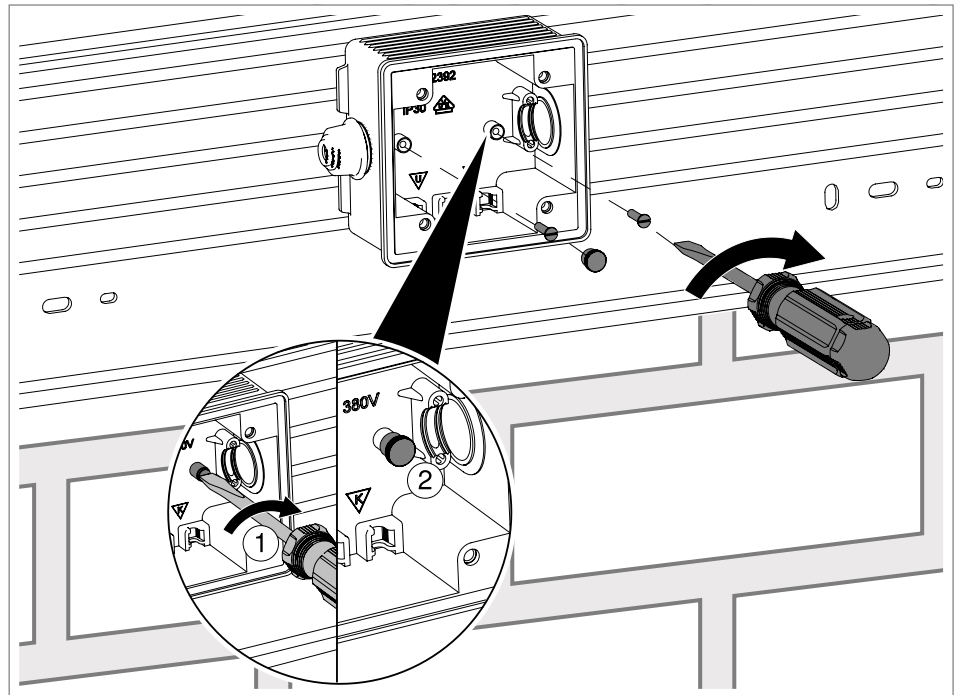


Fig. 23: Mounting the device installation socket for CEE sockets

2. Screw the device socket for the CEE socket <sup>15</sup> into the base of the WDK cable trunking <sup>4</sup> using the fastening screws.

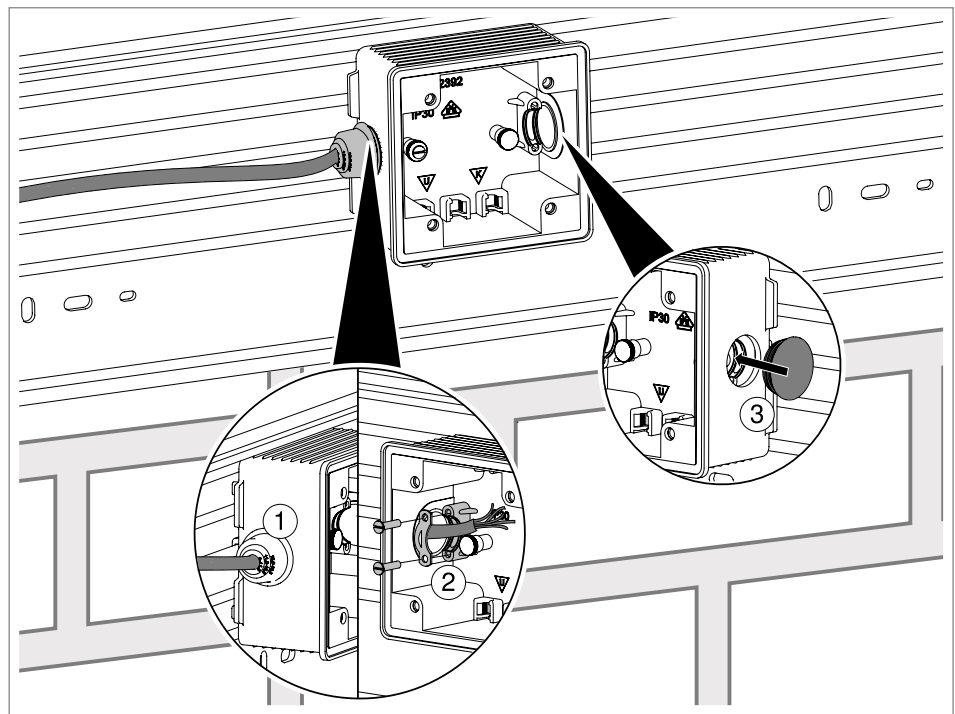


Fig. 24: Pulling in the cable



### **Risk to life through electric shock!**

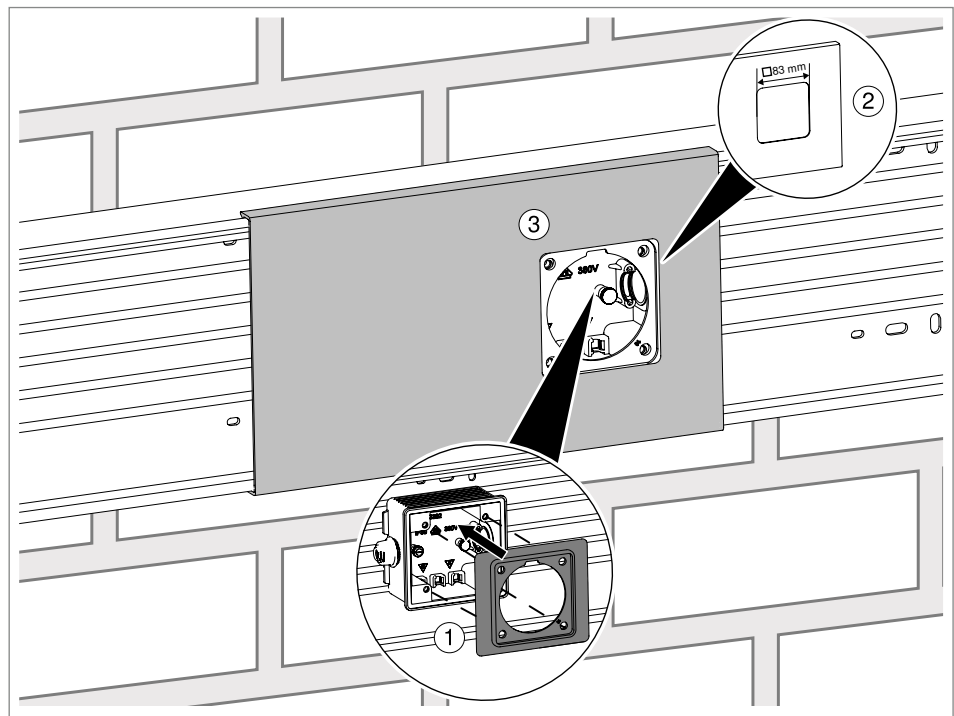
Energised components! Electrical installation work may only be carried out by an electrical engineer.

**Note!** *The 5-wire heavy current cable must be pulled up to 1 cm into the CEE device installation socket.*

3. Pull the cables through the cable gland and into the device socket for CEE sockets <sup>15</sup>.
4. Relieve the cable with the strain relief.

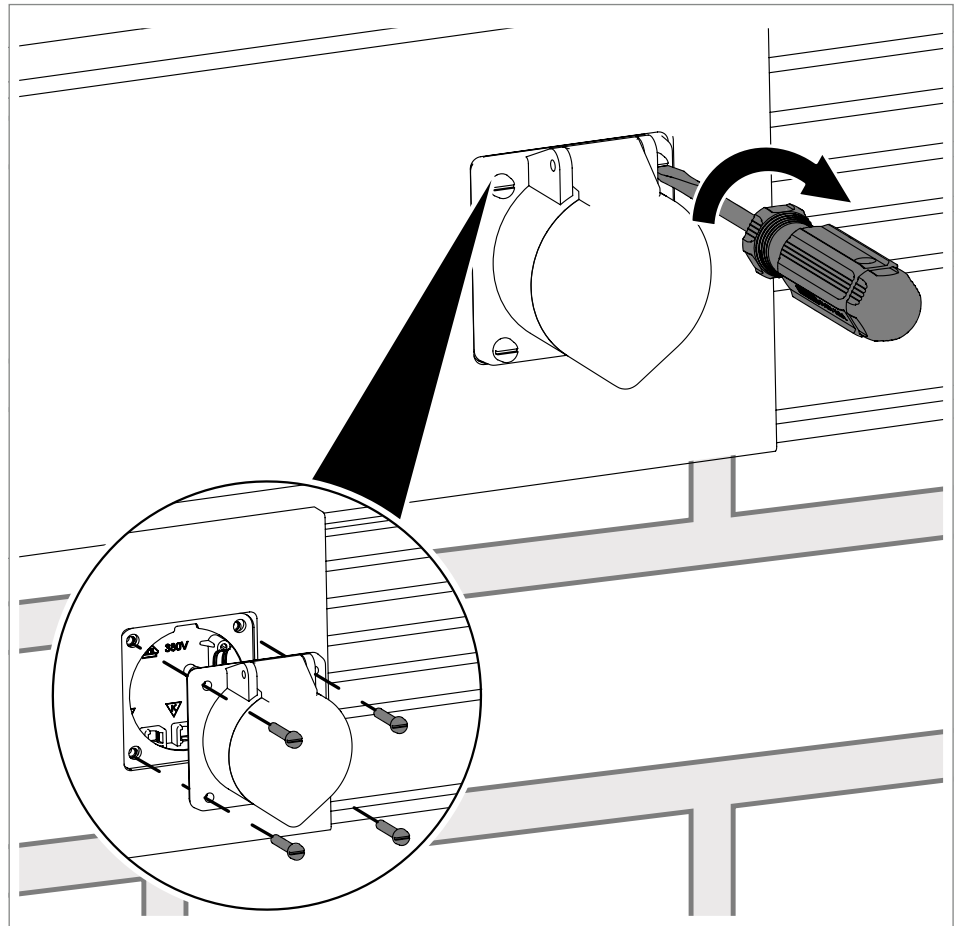
**Note!** *Optional, depending on the application:*

5. Close the device socket for CEE sockets <sup>15</sup> on the other side with the screw plug.



**Fig. 25:** Mounting the device socket for CEE sockets

6. Engage the adapter flange <sup>14</sup> on the device socket for CEE sockets <sup>15</sup>.
7. Cut the cover <sup>12</sup> according to the dimensions for the device socket for CEE sockets <sup>15</sup> (□ 83 mm).
8. Snap the cover <sup>12</sup> onto the WDK cable trunking <sup>4</sup>.

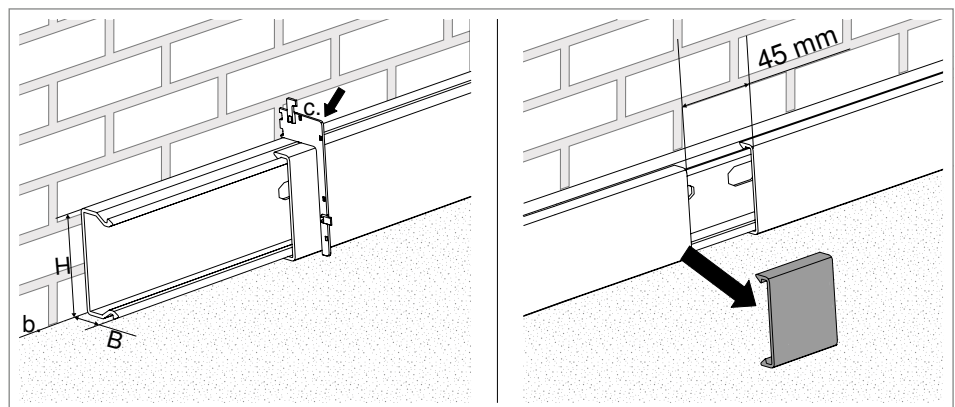


**Fig. 26:** Mounting the CEE connection unit

- Screw the CEE connection device <sup>13</sup> tight with the adapter flange <sup>14</sup> and the fastening screws on the device socket for CEE sockets <sup>15</sup>.

### Mounting the device support

Single device support for mounting on WDK cable trunking of the types WDK 12022, WDK 15030, WDK15040 and WDK 20050. The device is suitable for accepting Modul 45® devices (sockets, data technology supports).



**Fig. 27:** Preparations for mounting

- Determine the WDK cable trunking <sup>4</sup> type: The WDK cable trunking



type can be determined in various ways:

a Label on the packaging or on the trunking.

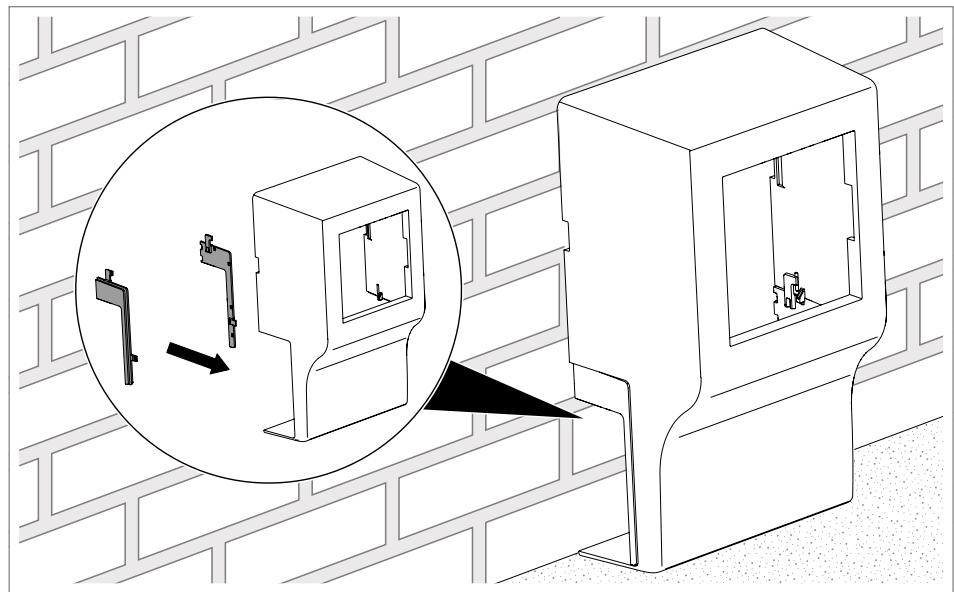
b Measuring the width and height in comparison with the following table. Type height x width (mm)

| Type      | Height x width (mm) |
|-----------|---------------------|
| WDK 12022 | 13 x 22 mm          |
| WDK 15030 | 17,5 x 30 mm        |
| WDK 15040 | 18 x 40 mm          |
| WDK 20050 | 20 x 50 mm          |

**Tab. 2:** Comparison of the trunking types

c Holding the appropriate adapter plate to the already installed WDK cable trunking.

- Remove the cover <sup>12</sup> at the desired mounting position (opening: approx. 45 mm).

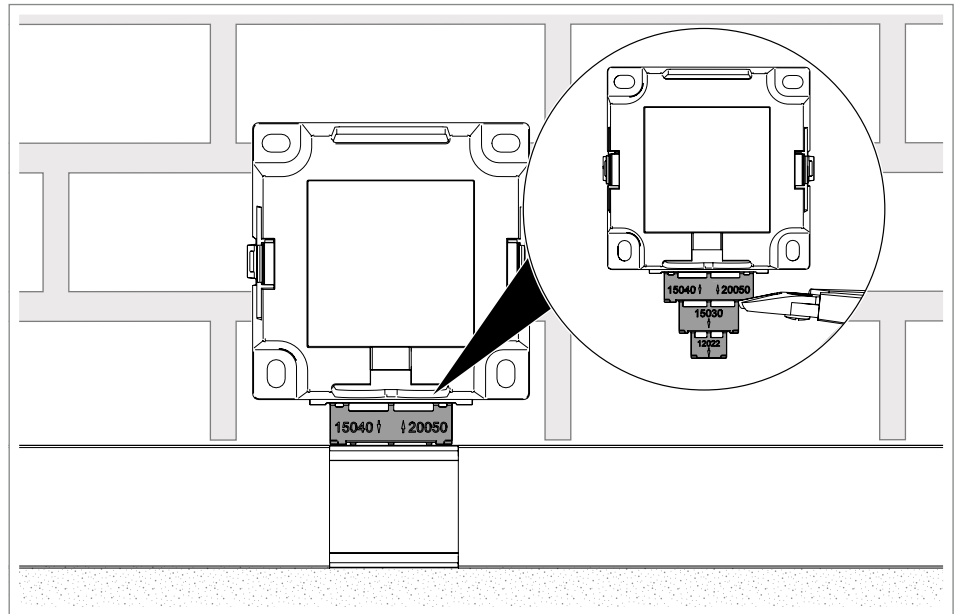


**Fig. 28:** Inserting the adapter plate

**Note!** *For correct assignment, the WDK type is specified on the inner side of the adapter plates.*

**Note!** *No adapter plate is required to mount the WDK20050 cable trunking.*

- Insert the adapter plate for the selected WDK type in the cover.

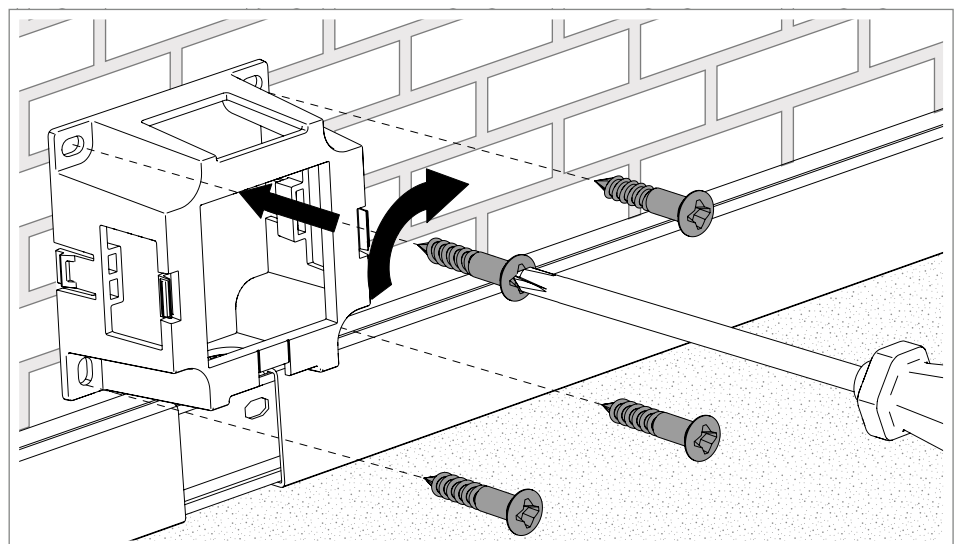


**Fig. 29:** Removing the spacer plate

4. Look for the spacer plate of the selected WDK type.
5. Using a suitable tool, cut the spacer plate on the perforation to which the arrow is pointing.

**Note!**

*In the example image, the adapter plate is cut for installation on the WDK type 15040.*



**Fig. 30:** Mounting the basic body

6. Apply the basic body to the WDK cable trunking at the required mounting position using the spacer plate.
7. Mark the drill holes.
8. Pre-drill the drill holes.
9. Screw the basic body tight using a suitable fastening material.

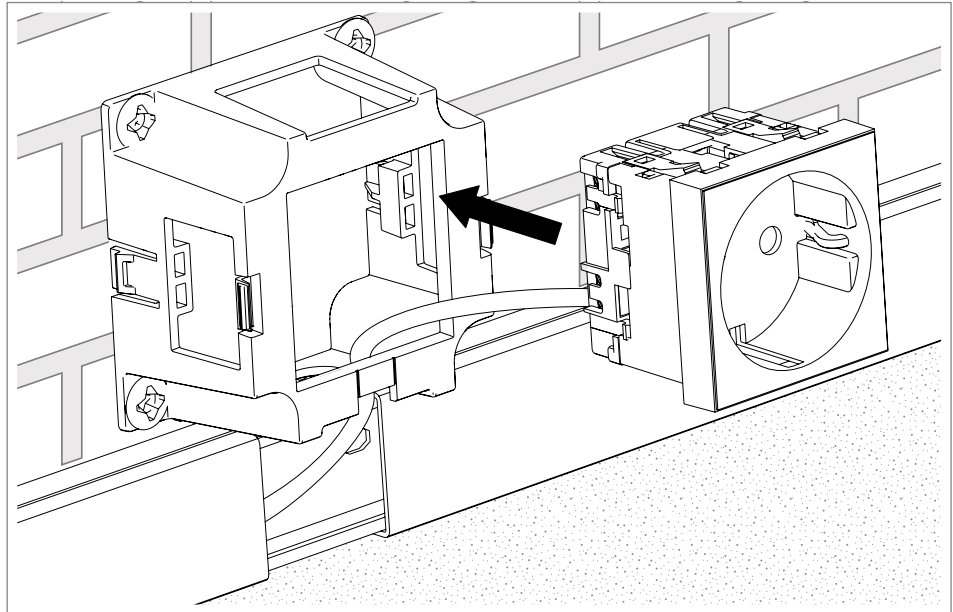


Fig. 31: Installing the socket



**WARNING**

**Risk to life through electric shock!**

Energised components! Only trained electrical specialists may carry out electrical installation work.

10. Pull the cable through the basic body.
11. Connect the socket.
12. Engage the socket in the basic body.

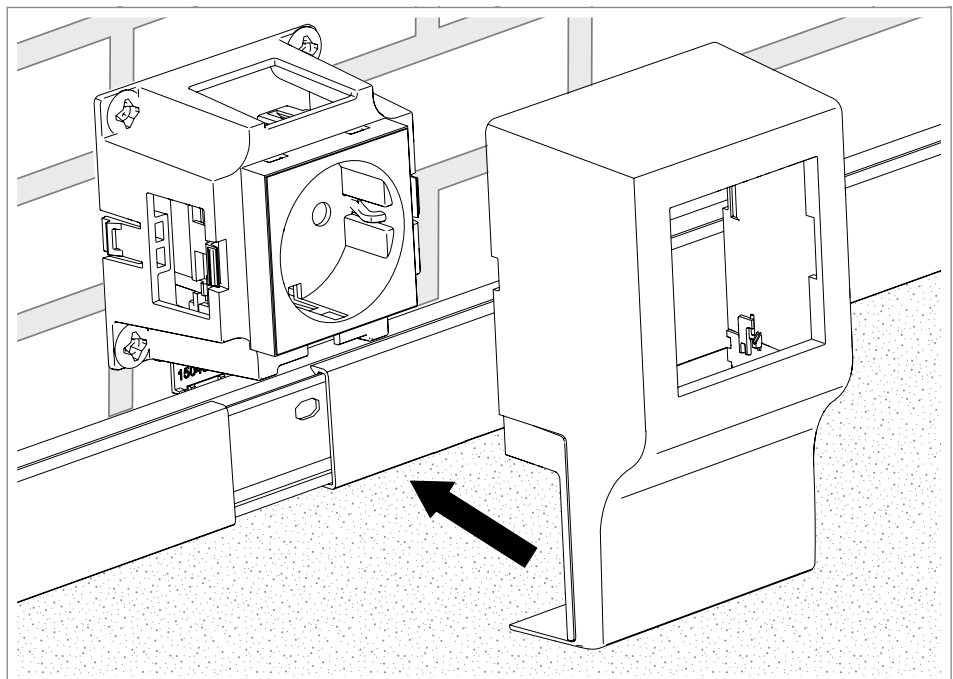


Fig. 32: Mounting the cover

13. Attach the cover to the basic body.

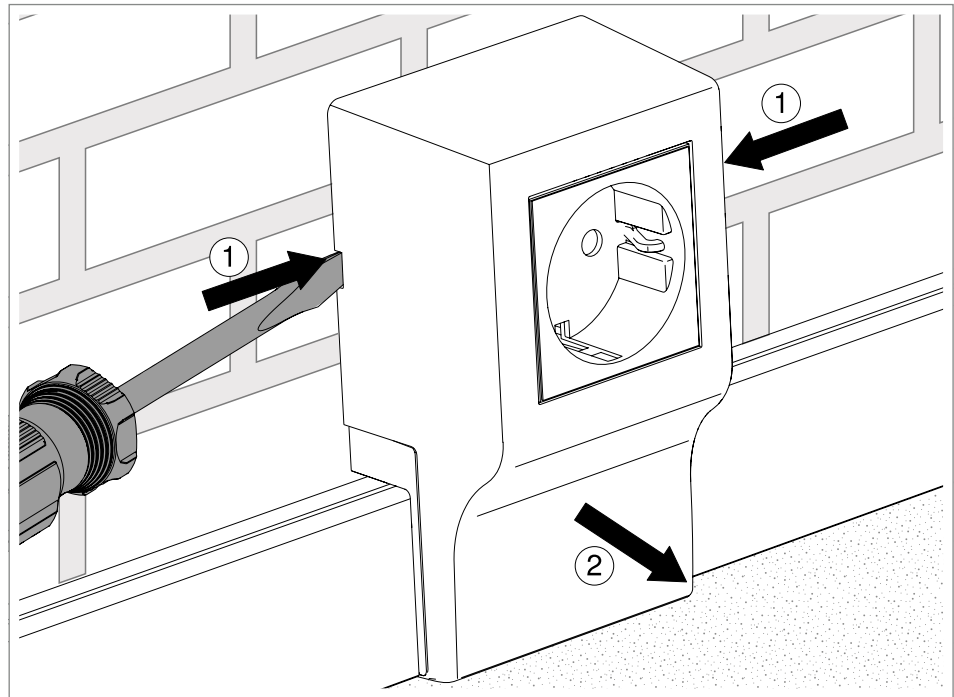


Fig. 33: #Geräteträger demontieren

14. Insert the screwdriver in the side slots of the cover.

15. Remove the cover.

### 5.2.2.5 Mounting fittings

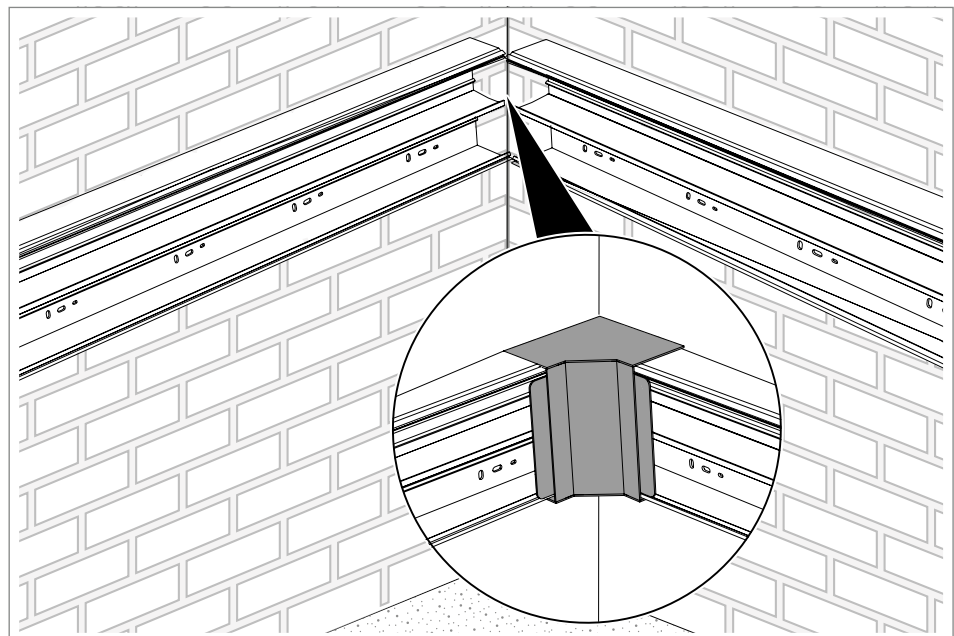
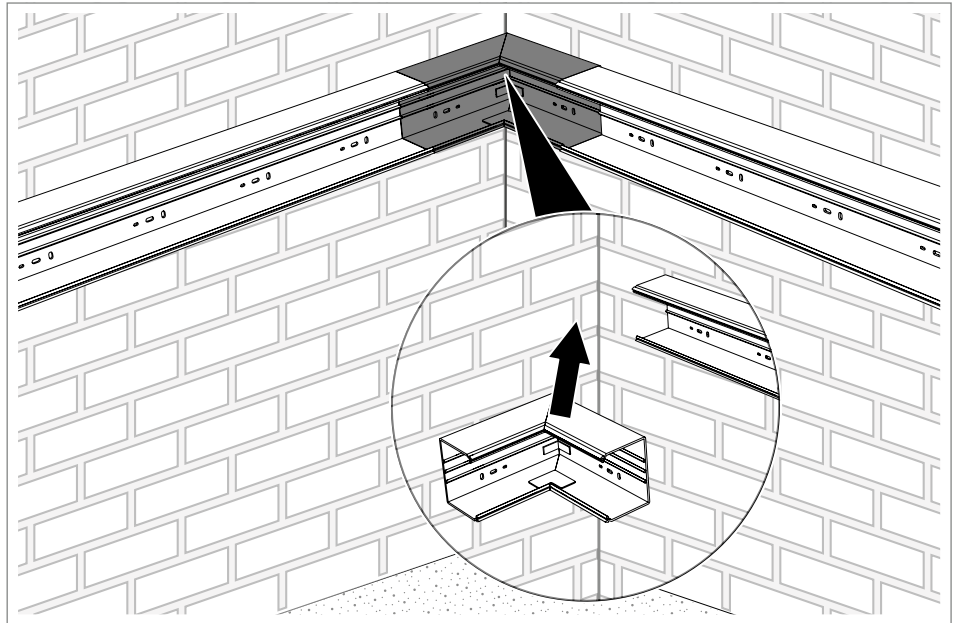


Fig. 34: Mounting the internal corner cover

1. Mount the WDK cable trunking ④ up to the end of the wall.

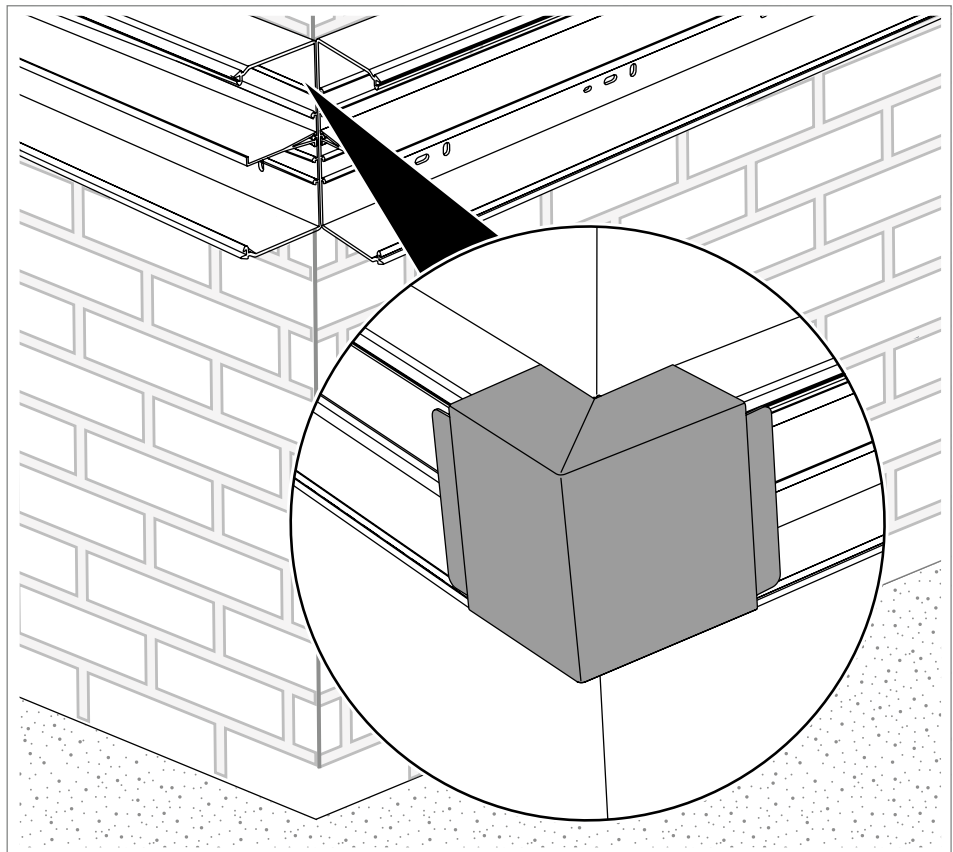
2. Attach the internal corner cover ⑤ over the mounted WDK cable trunking ④.

3. Snap the internal corner cover ⑤ into the cover contour.



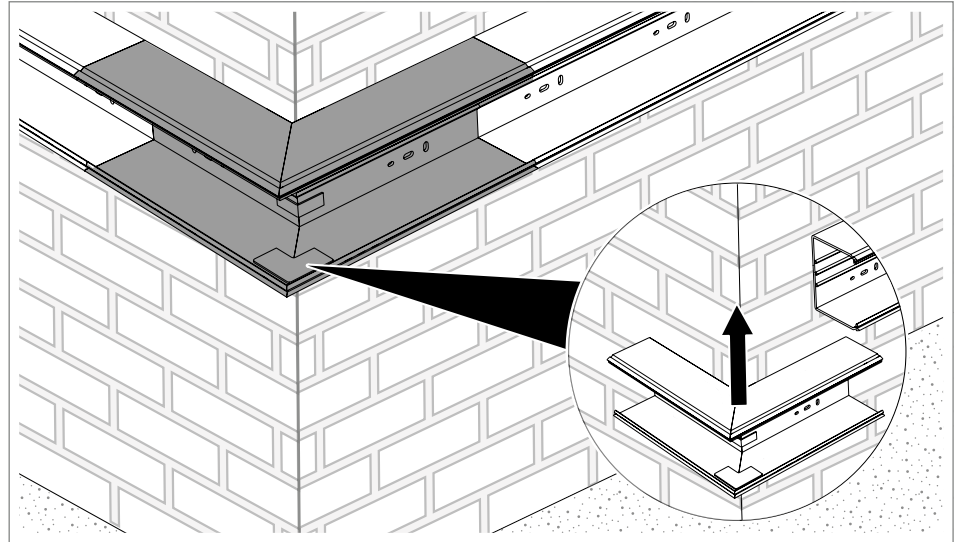
**Fig. 35:** Mounting an internal corner

4. Fasten the internal corner ⑤ to the wall in the slots using suitable fastening material (e.g. screw and anchor).
5. Mount the WDK cable trunking ④ flush to the internal corner ⑤.



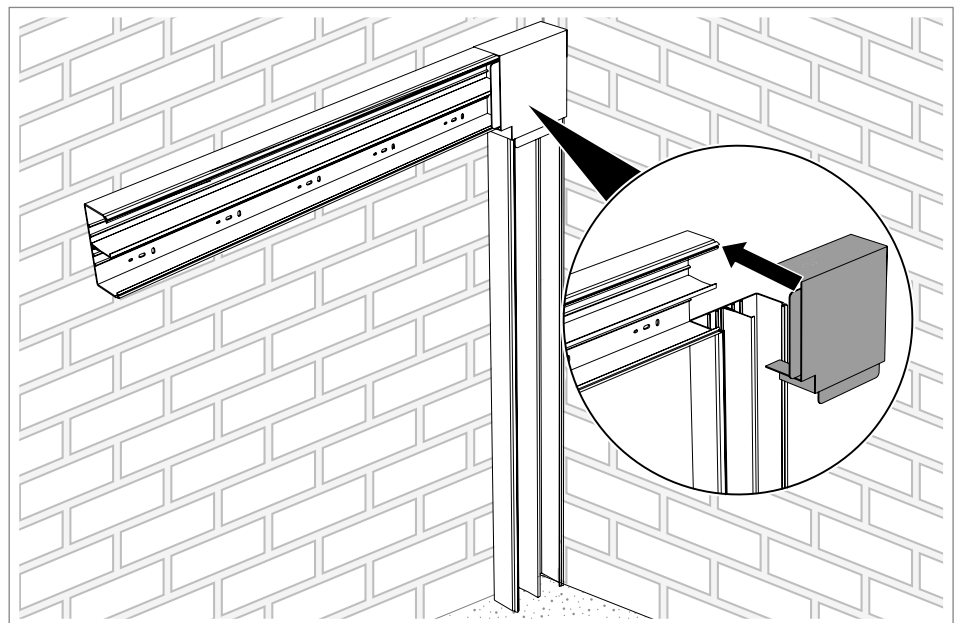
**Fig. 36:** Mounting the external corner cover

6. Mount the WDK cable trunking ④ up to the end of the wall.
7. Attach the external corner cover ⑦ to the WDK cable trunking ④.
8. Snap the external corner cover ⑦ into the cover contour.



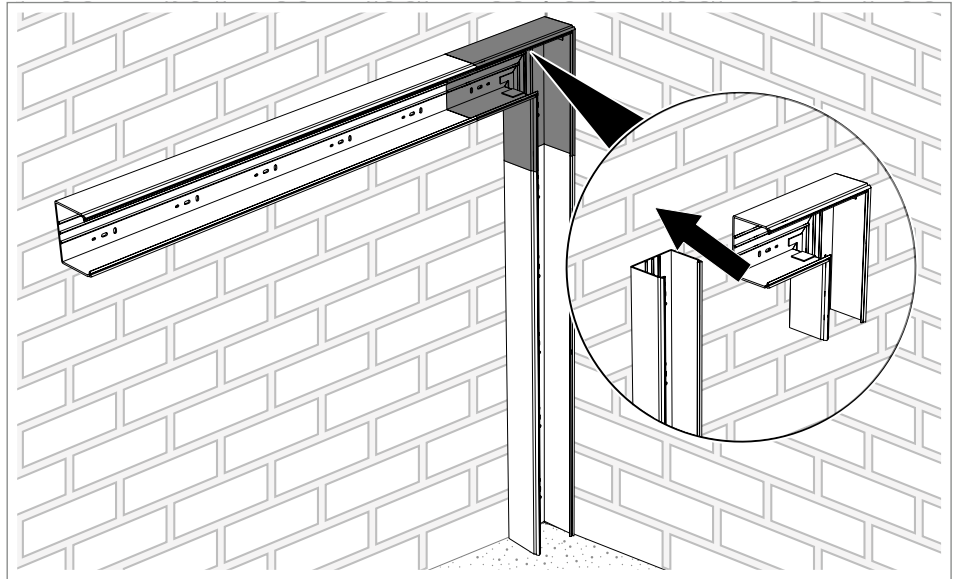
**Fig. 37:** Mounting an external corner

9. Fasten the external corner ⑦ to the wall in the slots using suitable fastening material (e.g. screw and anchor).
10. Mount the WDK cable trunking ④ flush to the external corner ⑦.



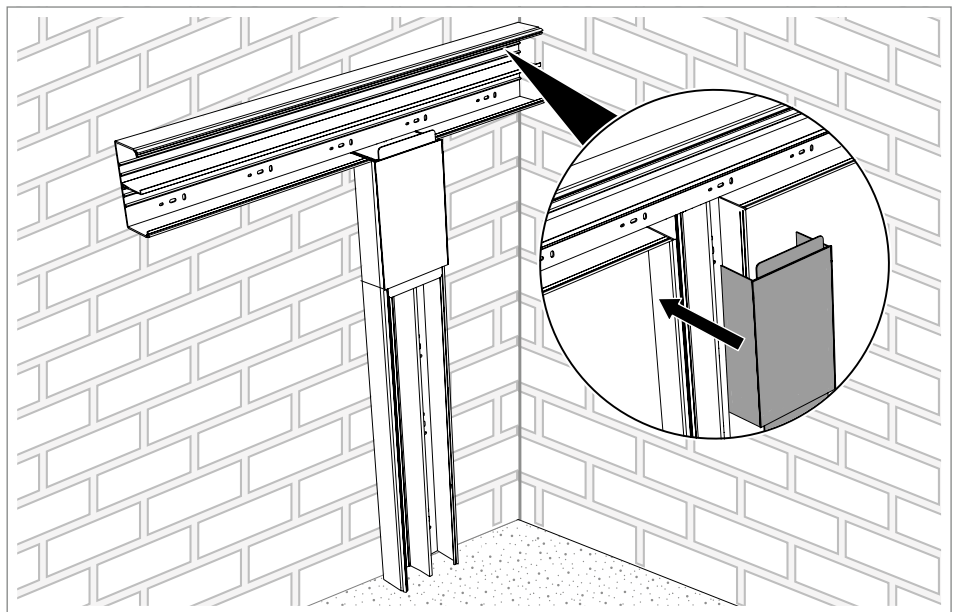
**Fig. 38:** Mounting a flat angle cover

11. Mount the WDK cable trunking ④ at a 90° angle.
12. Attach the flat angle cover ⑩ to the WDK cable trunking ④.



**Fig. 39:** Mounting flat angles

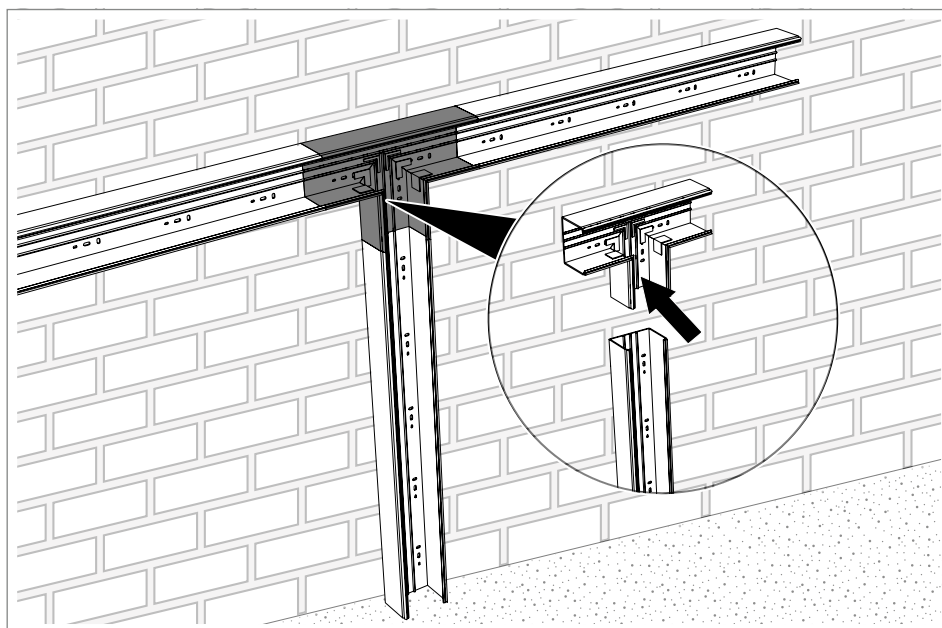
13. Fasten the flat angle ⑩ to the wall in the slots using suitable fastening material (e.g. screw and anchor).
14. Mount the WDK cable trunking ④ flush to the flat angle ⑩.



**Fig. 40:** Mounting a T and cross piece

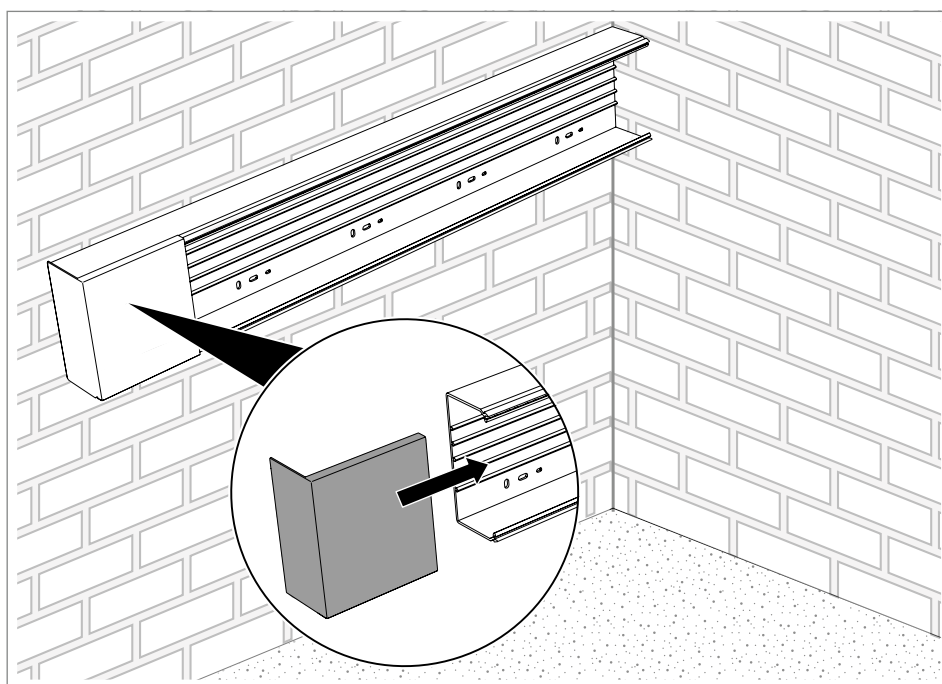
15. Attach the T and cross piece ③ to the WDK cable trunking ④.





**Fig. 41:** Mounting the T piece

16. Fasten the T piece ③ to the wall in the slots using suitable fastening material (e.g. screw and anchor).
17. Mount the WDK cable trunking ④ flush to the T piece ③.



**Fig. 42:** Mounting an end piece

18. Snap the end piece ① sideways onto the mushroom profile in the base of the trunking.



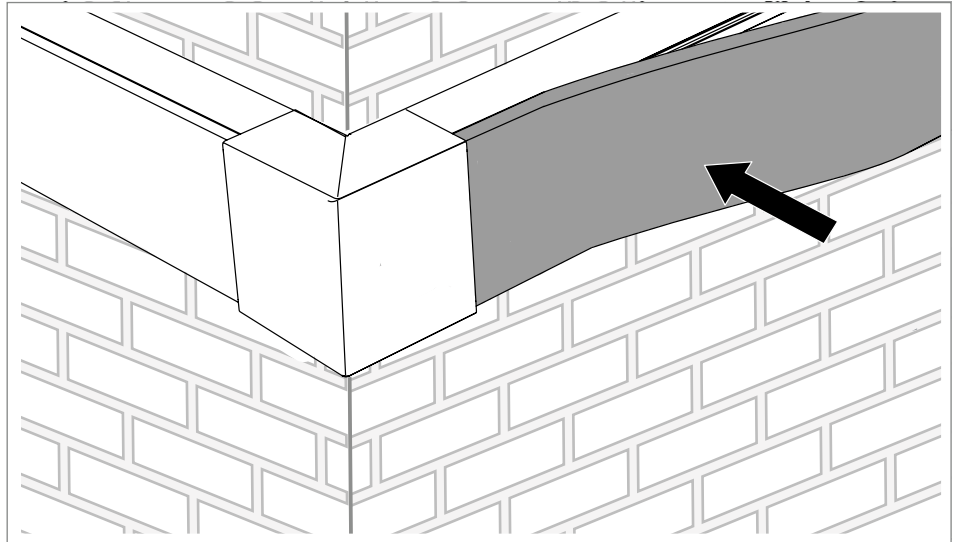


Fig. 43: Mounting the cover

**Note!** *The covers are designed to overlap. You can snap the covers over the external locking contour of the WDK cable trunking.*

19. Snap the covers 12 into the cover contour of the WDK cable trunking 4.

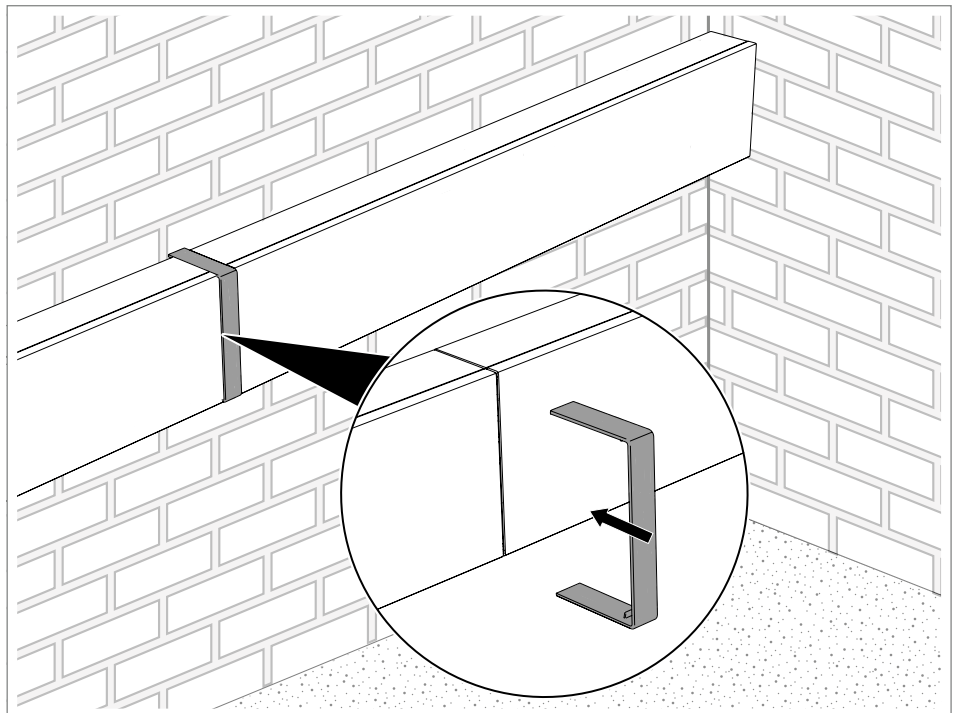


Fig. 44: Mounting the joint cover

**Note!** *Mounting the joint cover increases ingress protection.*

20. Snap the joint covers 6 onto the interface between the WDK cable trunking 4 using the adhesive film.

### 5.3 Mounting the WDK universal trunking

#### 5.3.1 System description

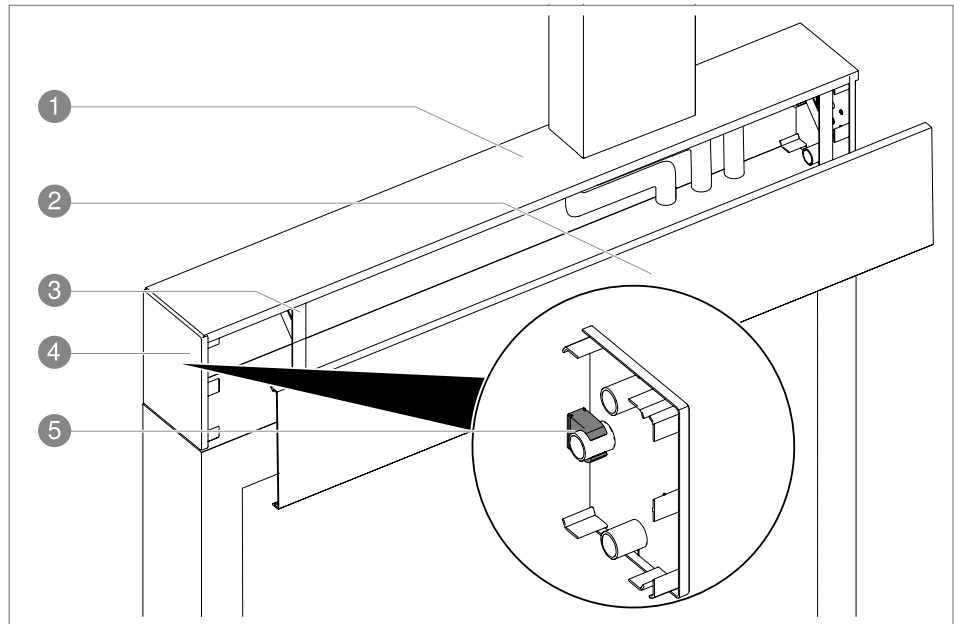


Fig. 45: Universal trunking

**Note!** *The universal trunking hides cables which have to, for example, be inserted into meter cabinets.*

The universal trunking is a visual cover to hide the cables in the surface-mounted distributor.

- ① Cover
- ② Front cover
- ③ Cover clips
- ④ End piece
- ⑤ Fastening clip

5.3.2 Mounting the universal trunking

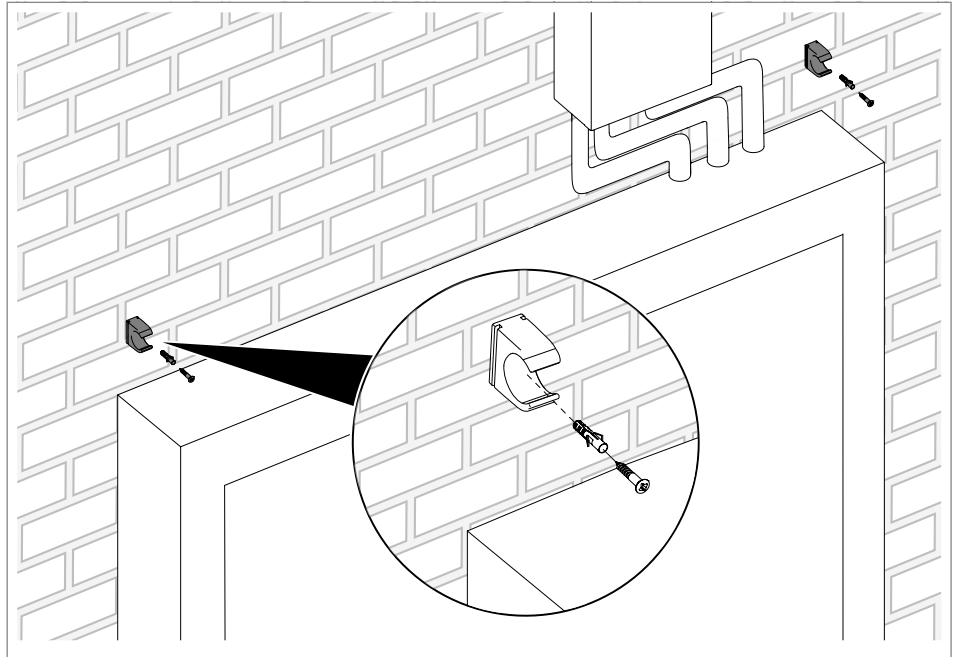


Fig. 46: Mounting fastening clips

1. Using knock-in anchors, mount the fastening clips ⑤ on the left and right above the distributor cabinets.

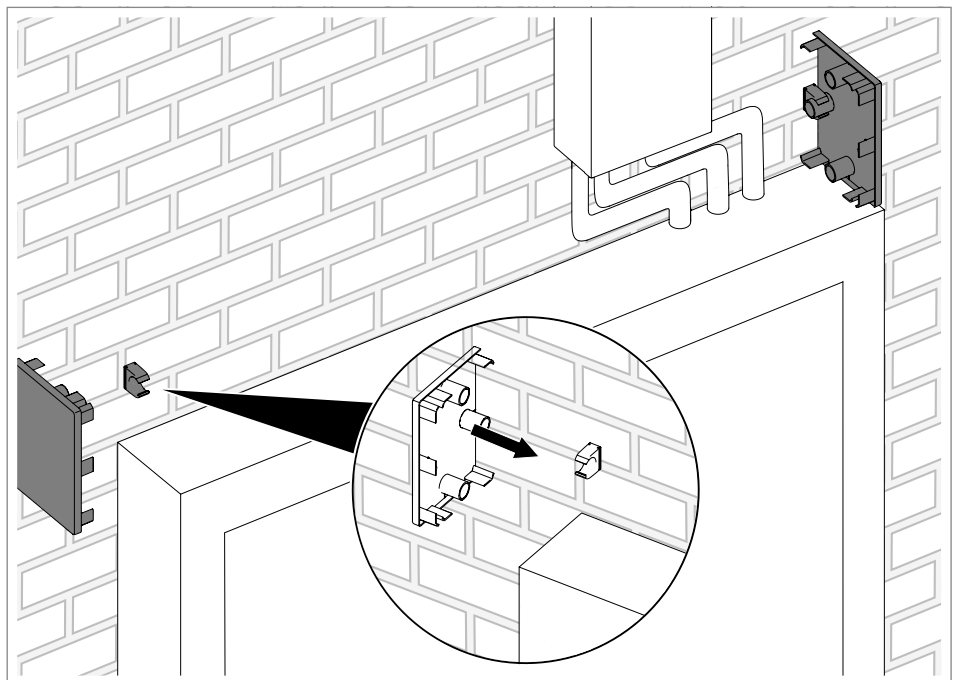
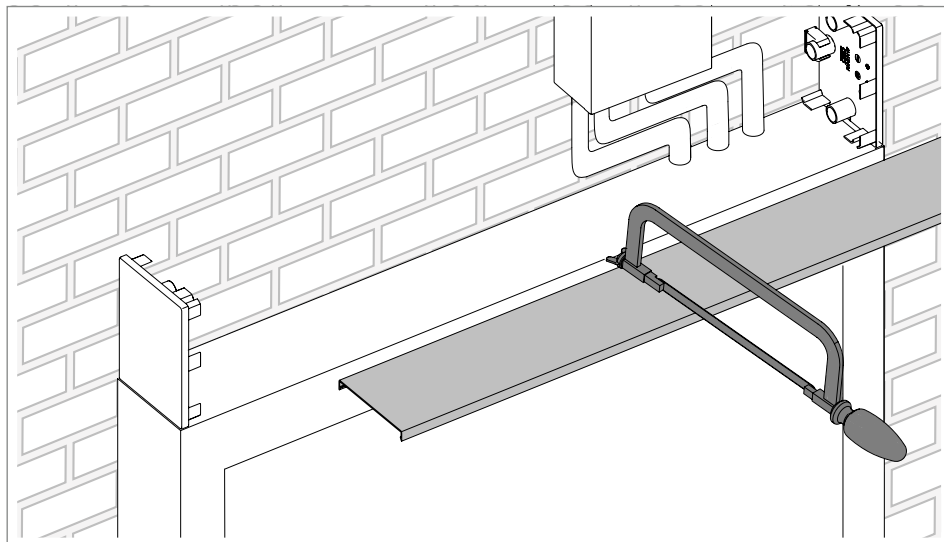


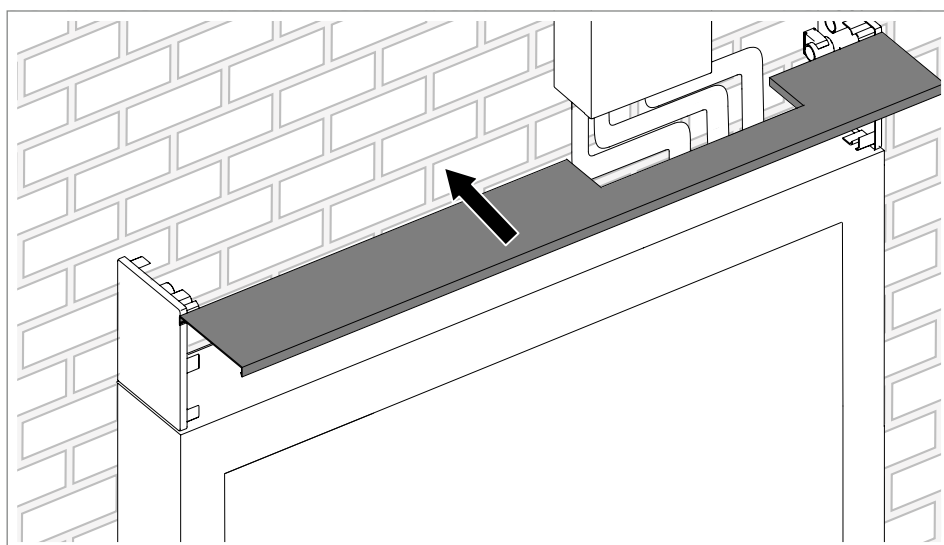
Fig. 47: Mounting end pieces

2. Snap the end pieces ④ into the fastening clips ⑤.



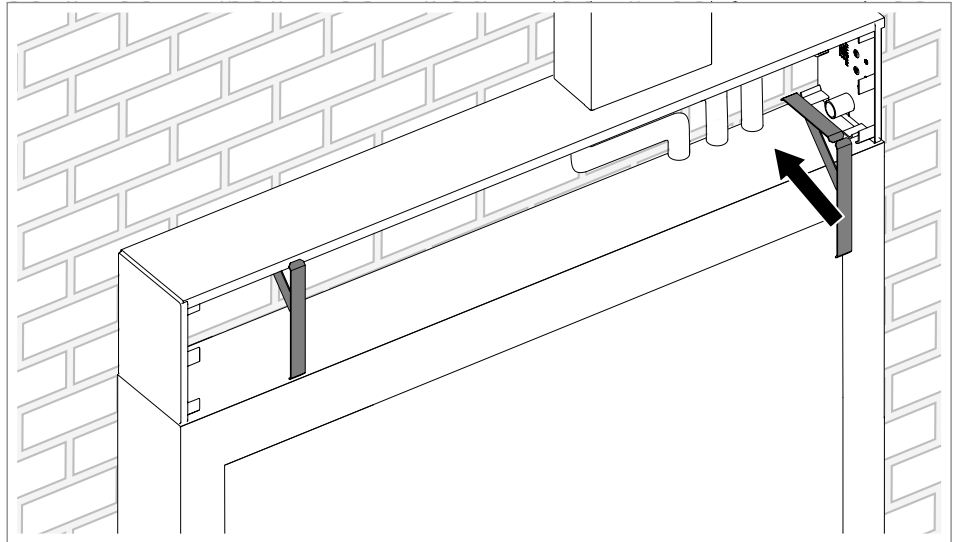
**Fig. 48:** Cutting covers

3. Adjust the covers ❶ to the desired length using a suitable tool (e.g. coping saw).



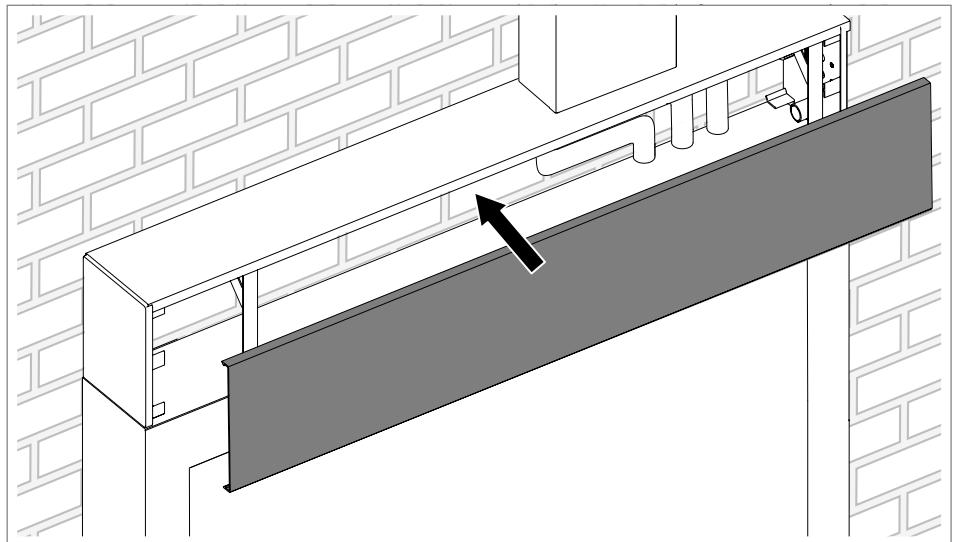
**Fig. 49:** Installing covers

4. Snap the covers ❶ into the cover contour of the end pieces ❷.



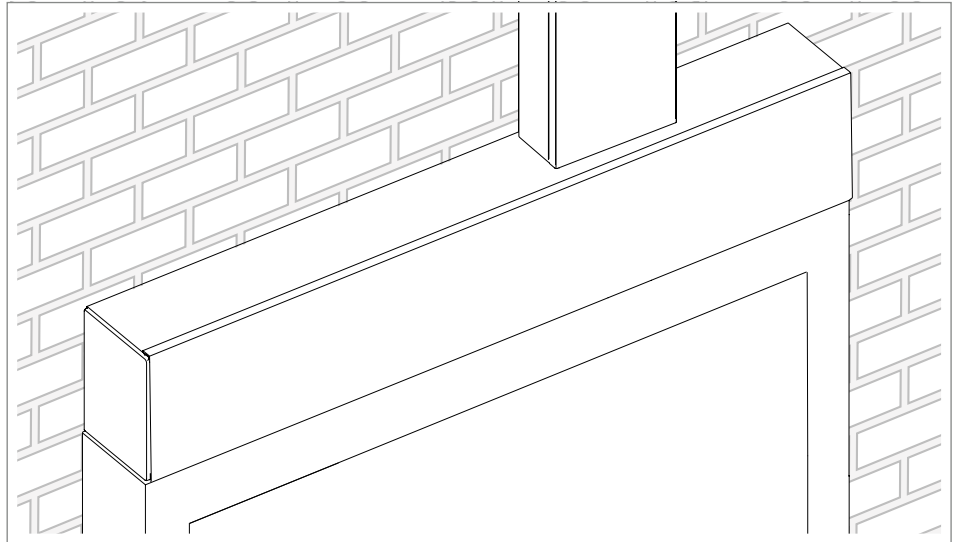
**Fig. 50:** Mounting cover clips

5. Clamp the cover clips ③ between the power unit and the cover ①.



**Fig. 51:** Mounting the front cover

6. Attach the front cover ② onto the cover clips ③.



**Fig. 52:** Universal trunking

The universal trunking allows tidy routing, even if a lot of cables need to be hidden.

## 5 Technical data

### 5.1 WDK Minikanal

#### WDK mini trunking

| Type     | Item no. | Dimensions (L x W x H) | Colour      |
|----------|----------|------------------------|-------------|
| WDKMD4CW | 6150152  | 4,5 x 9 x 2000 mm      | Cream white |
| WDKMD4RW | 6150268  | 4,5 x 9 x 2000 mm      | Pure white  |
| WDKMD4   | 6150015  | 4,5 x 9 x 2000 mm      | Light grey  |

**Tab. 3:** Technical data, WDK mini trunking (trunking height 4 mm)

#### Trunking height 7 mm

| Type     | Item no. | Dimensions (L x W x H) | Colour        |
|----------|----------|------------------------|---------------|
| WDKM7    | 6150071  | 7 x 7,5 x 2000 mm      | Traffic white |
| WDKMD7CW | 6150160  | 7 x 12,5 x 2000 mm     | Cream white   |
| WDKMD7RW | 6150276  | 7 x 12,5 x 2000 mm     | Pure white    |
| WDKMD7S  | 6150326  | 7 x 12,5 x 2000 mm     | Pure white    |

**Tab. 4:** Technical data, WDK mini trunking (trunking height 7 mm)

#### Trunking height 9 mm

| Type  | Item no. | Dimensions (L x W x H) | Colour        |
|-------|----------|------------------------|---------------|
| WDKM9 | 6150098  | 9 x 10 x 2000 mm       | Traffic white |

**Tab. 5:** Technical data, WDK mini trunking (trunking height 9 mm)

### Trunking height 11 mm

| Type   | Item no. | Dimensions (L x W x H) | Colour        |
|--------|----------|------------------------|---------------|
| WDKM11 | 6150101  | 11 x 12 x 2000 mm      | Traffic white |

**Tab. 6:** Technical data, WDK mini trunking (trunking height 11 mm)

### Trunking height 12 mm

| Type      | Item no. | Dimensions (L x W x H) | Colour      |
|-----------|----------|------------------------|-------------|
| WDKMD12CW | 6150179  | 12 x 12 x 2000 mm      | Cream white |
| WDKMD12RW | 6150284  | 12 x 12 x 2000 mm      | Pure white  |
| WDKMD12S  | 6150330  | 12 x 12 x 2000 mm      | Pure white  |

**Tab. 7:** Technical data, WDK mini trunking (trunking height 12 mm)

### Trunking height 17 mm

| Type      | Item no. | Dimensions (L x W x H) | Colour      |
|-----------|----------|------------------------|-------------|
| WDKMD17CW | 6150187  | 17 x 17 x 2000 mm      | Cream white |
| WDKMD17RW | 6150292  | 17 x 17 x 2000 mm      | Pure white  |
| WDKMD17S  | 6150334  | 17 x 17 x 2000 mm      | Pure white  |

**Tab. 8:** Technical data, WDK mini trunking (trunking height 17 mm)

## 5.2 WDK/WDKH plastic cable trunking system

### Trunking height 10 mm

| Type          | Item no. | Dimensions (L x W x H) | Colour      |
|---------------|----------|------------------------|-------------|
| WDK10020RW    | 6150764  | 10 x 20 x 2000 mm      | Pure white  |
| WDK10020CW    | 6150756  | 10 x 20 x 2000 mm      | Cream white |
| WDK10020SRW   | 6027318  | 10 x 20 x 2000 mm      | Pure white  |
| WDKH-10020RW  | 6175375  | 10 x 20 x 2000 mm      | Pure white  |
| WDKH-10020RWT | 6175377  | 10 x 20 x 2000 mm      | Pure white  |
| WDK10030RW    | 6150780  | 10 x 30 x 2000 mm      | Pure white  |
| WDK10030CW    | 6150772  | 10 x 30 x 2000 mm      | Cream white |
| WDK 10030     | 6188972  | 10 x 30 x 2000 mm      | Pure white  |
| WDK10030RW    | 6150780  | 10 x 30 x 2000 mm      | Pure white  |
| WDK10030CW    | 6150772  | 10 x 30 x 2000 mm      | Cream white |

**Tab. 9:** Technical data: Plastic cable trunking systems (trunking height 10 mm)

### Trunking height 12 mm

| Type           | Item no. | Dimensions (L x W x H) | Colour     |
|----------------|----------|------------------------|------------|
| WDK12022RW     | 6150702  | 12 x 22 x 2000 mm      | Pure white |
| WDK12022RW2100 | 6150703  | 12 x 22 x 2100 mm      | Pure white |
| WDK12022TRW    | 6027300  | 12 x 22 x 2000 mm      | Pure white |

| Type                | Item no. | Dimensions (L x W x H) | Colour     |
|---------------------|----------|------------------------|------------|
| WDK12022TRW<br>2100 | 6027301  | 12 x 22 x 2100 mm      | Pure white |

**Tab. 10:** Technical data: Plastic cable trunking systems (trunking height 12 mm)

### Trunking height 13 mm

| Type     | Item no. | Dimensions (L x W x H) | Colour       |
|----------|----------|------------------------|--------------|
| WDK13025 | 6187704  | 13 x 25 x 2000 mm      | Pure white   |
| WDK13025 | 6187714  | 13 x 25 x 2000 mm      | Oyster white |

**Tab. 11:** Technical data: Plastic cable trunking systems (trunking height 13 mm)

### Trunking height 15 mm

| Type           | Item no. | Dimensions (L x W x H) | Colour        |
|----------------|----------|------------------------|---------------|
| WDK15015GR     | 6024955  | 15 x 15 x 2000 mm      | Stone grey    |
| WDK15015CW     | 6024963  | 15 x 15 x 2000 mm      | Cream white   |
| WDK15015LGR    | 6024947  | 15 x 15 x 2000 mm      | Light grey    |
| WDK15015RW     | 6191002  | 15 x 15 x 2000 mm      | Pure white    |
| WDK15015BR     | 6024971  | 15 x 15 x 2000 mm      | Sepia brown   |
| WDK15015VW     | 6191400  | 15 x 15 x 2000 mm      | Traffic white |
| WDK15030GR     | 6025005  | 15 x 30 x 2000 mm      | Stone grey    |
| WDK15015SW     | 6024949  | 15 x 15 x 2000 mm      | Jet black     |
| WDK15030CW     | 6025013  | 15 x 30 x 2000 mm      | Cream white   |
| WDK15030RW     | 6191010  | 15 x 30 x 2000 mm      | Pure white    |
| WDK15030BR     | 6025021  | 15 x 30 x 2000 mm      | Sepia brown   |
| WDK15030LGR    | 6025048  | 15 x 30 x 2000 mm      | Light grey    |
| WDK15030SRW    | 6027325  | 15 x 30 x 2000 mm      | Pure white    |
| WDKH-15030RW   | 6175390  | 15 x 30 x 2000 mm      | Pure white    |
| WDKH-15030LGR  | 6175457  | 15 x 30 x 2000 mm      | Light grey    |
| WDKH-15030RW T | 6175392  | 15 x 30 x 2000 mm      | Pure white    |
| WDK15040GR     | 6025137  | 15 x 40 x 2000 mm      | Stone grey    |
| WDK15040CW     | 6025161  | 15 x 40 x 2000 mm      | Cream white   |
| WDK15040RW     | 6191029  | 15 x 40 x 2000 mm      | Pure white    |
| WDK15040SRW    | 6027335  | 15 x 40 x 2000 mm      | Pure white    |

**Tab. 12:** Technical data: Plastic cable trunking systems (trunking height 15 mm)

### Trunking height 20 mm

| Type        | Item no. | Dimensions (L x W x H) | Colour      |
|-------------|----------|------------------------|-------------|
| WDK20020GR  | 6025110  | 20 x 20 x 2000 mm      | Stone grey  |
| WDK20020CW  | 6025153  | 20 x 20 x 2000 mm      | Cream white |
| WDK20020LGR | 6025102  | 20 x 20 x 2000 mm      | Light grey  |
| WDK20020RW  | 6191037  | 20 x 20 x 2000 mm      | Pure white  |
| WDK20020BR  | 6025129  | 20 x 20 x 2000 mm      | Sepia brown |



| Type          | Item no. | Dimensions (L x W x H) | Colour        |
|---------------|----------|------------------------|---------------|
| WDK20020SRW   | 6027360  | 20 x 20 x 2000 mm      | Pure white    |
| WDK20020SW    | 6025155  | 20 x 20 x 2000 mm      | Jet black     |
| WDK20020VW    | 6191406  | 20 x 20 x 2000 mm      | Traffic white |
| WDKH-20020RW  | 6175400  | 20 x 20 x 2000 mm      | Pure white    |
| WDKH-20020LGR | 6175460  | 20 x 20 x 2000 mm      | Light grey    |
| WDKH-20020SW  | 6175490  | 20 x 20 x 2000 mm      | Jet black     |
| WDK20035GR    | 6026362  | 20 x 35 x 2000 mm      | Stone grey    |
| WDK20035CW    | 6026370  | 20 x 35 x 2000 mm      | Cream white   |
| WDK20035LGR   | 6026354  | 20 x 35 x 2000 mm      | Light grey    |
| WDK20035RW    | 6191045  | 20 x 35 x 2000 mm      | Pure white    |
| WDK20050CW    | 6168701  | 20 x 50 x 2000 mm      | Cream white   |
| WDK20050RW    | 6168736  | 20 x 50 x 2000 mm      | Pure white    |
| WDK-N20050CW  | 6168728  | 20 x 50 x 2000 mm      | Cream white   |
| WDK-N20050RW  | 6168744  | 20 x 50 x 2000 mm      | Pure white    |

**Tab. 13:** Technical data: Plastic cable trunking systems (trunking height 20 mm)

### Trunking height 25 mm

| Type         | Item no. | Dimensions (L x W x H) | Colour        |
|--------------|----------|------------------------|---------------|
| WDK25025GR   | 6026419  | 25 x 25 x 2000 mm      | Stone grey    |
| WDK25025CW   | 6026427  | 25 x 25 x 2000 mm      | Cream white   |
| WDK25025LGR  | 6026400  | 25 x 25 x 2000 mm      | Light grey    |
| WDK25025RW   | 6191053  | 25 x 25 x 2000 mm      | Pure white    |
| WDK25025SRW  | 6027372  | 25 x 25 x 2000 mm      | Pure white    |
| WDK25025VW   | 6191412  | 25 x 25 x 2000 mm      | Traffic white |
| WDK25040GR   | 6026443  | 25 x 40 x 2000 mm      | Stone grey    |
| WDK25040CW   | 6026451  | 25 x 40 x 2000 mm      | Cream white   |
| WDK25040RW   | 6191061  | 25 x 40 x 2000 mm      | Pure white    |
| WDK25040SW   | 6026488  | 25 x 40 x 2000 mm      | Jet black     |
| WDK25040LGR  | 6026486  | 25 x 40 x 2000 mm      | Light grey    |
| WDK25040CW   | 6188079  | 25 x 40 x 2000 mm      | Cream white   |
| WDK-N25040CW | 6150632  | 25 x 40 x 2000 mm      | Cream white   |
| WDK-N25040RW | 6150640  | 25 x 40 x 2000 mm      | Pure white    |

**Tab. 14:** Technical data: Plastic cable trunking systems (trunking height 25 mm)

### Trunking height 30 mm

| Type        | Item no. | Dimensions (L x W x H) | Colour      |
|-------------|----------|------------------------|-------------|
| WDK30030GR  | 6026818  | 30 x 30 x 2000 mm      | Stone grey  |
| WDK30030CW  | 6026826  | 30 x 30 x 2000 mm      | Cream white |
| WDK30030LGR | 6026796  | 30 x 30 x 2000 mm      | Light grey  |
| WDK30030RW  | 6191096  | 30 x 30 x 2000 mm      | Pure white  |

| Type        | Item no. | Dimensions (L x W x H) | Colour      |
|-------------|----------|------------------------|-------------|
| WDK30030BR  | 6026834  | 30 x 30 x 2000 mm      | Sepia brown |
| WDK30045GR  | 6026850  | 30 x 45 x 2000 mm      | Stone grey  |
| WDK30045CW  | 6026869  | 30 x 45 x 2000 mm      | Cream white |
| WDK30045LGR | 6026842  | 30 x 45 x 2000 mm      | Light grey  |
| WDK30045RW  | 6191118  | 30 x 45 x 2000 mm      | Pure white  |

**Tab. 15:** Technical data: Plastic cable trunking systems (trunking height 30 mm)

### Trunking height 40 mm

| Type          | Item no. | Dimensions (L x W x H) | Colour        |
|---------------|----------|------------------------|---------------|
| WDK40040GR    | 6025447  | 40 x 40 x 2000 mm      | Stone grey    |
| WDK40040CW    | 6025412  | 40 x 40 x 2000 mm      | Cream white   |
| WDK40040LGR   | 6027016  | 40 x 40 x 2000 mm      | Light grey    |
| WDK40040RW    | 6191126  | 40 x 40 x 2000 mm      | Pure white    |
| WDK40040BR    | 6025420  | 40 x 40 x 2000 mm      | Sepia brown   |
| WDK40040RW    | 6188119  | 40 x 40 x 2000 mm      | Pure white    |
| WDK40060GR    | 6025633  | 40 x 60 x 2000 mm      | Stone grey    |
| WDK40060CW    | 6020887  | 40 x 60 x 2000 mm      | Cream white   |
| WDK40060SW    | 6025638  | 40 x 60 x 2000 mm      | Jet black     |
| WDK40060LGR   | 6027024  | 40 x 60 x 2000 mm      | Light grey    |
| WDK40060RW    | 6191134  | 40 x 60 x 2000 mm      | Pure white    |
| WDK40060BR    | 6025617  | 40 x 60 x 2000 mm      | Sepia brown   |
| WDK40060RW    | 6188125  | 40 x 60 x 2000 mm      | Pure white    |
| WDKH-40060RW  | 6175410  | 40 x 60 x 2000 mm      | Pure white    |
| WDKH-40060LGR | 6175466  | 40 x 60 x 2000 mm      | Light grey    |
| WDKH-40060SW  | 6175480  | 40 x 60 x 2000 mm      | Jet black     |
| WDK40090GR    | 6021018  | 40 x 90 x 2000 mm      | Stone grey    |
| WDK40090CW    | 6020895  | 40 x 90 x 2000 mm      | Cream white   |
| WDK40090LGR   | 6027032  | 40 x 90 x 2000 mm      | Light grey    |
| WDK40090RW    | 6191142  | 40 x 90 x 2000 mm      | Pure white    |
| WDK40090VW    | 6191430  | 40 x 90 x 2000 mm      | Traffic white |
| WDK40110GR    | 6021034  | 40 x 110 x 2000 mm     | Stone grey    |
| WDK40110CW    | 6020909  | 40 x 110 x 2000 mm     | Cream white   |
| WDK40110LGR   | 6027040  | 40 x 110 x 2000 mm     | Light grey    |
| WDK40110RW    | 6191150  | 40 x 110 x 2000 mm     | Pure white    |
| WDK40110VW    | 6191433  | 40 x 110 x 2000 mm     | Traffic white |

**Tab. 16:** Technical data: Plastic cable trunking systems (trunking height 40 mm)

### Trunking height 60 mm

| Type       | Item no. | Dimensions (L x W x H) | Colour      |
|------------|----------|------------------------|-------------|
| WDK60060GR | 6025668  | 60 x 60 x 2000 mm      | Stone grey  |
| WDK60060CW | 6021948  | 60 x 60 x 2000 mm      | Cream white |

| Type               | Item no. | Dimensions (L x W x H) | Colour      |
|--------------------|----------|------------------------|-------------|
| WDK60060LGR        | 6027105  | 60 x 60 x 2000 mm      | Light grey  |
| WDK60060RW         | 6191193  | 60 x 60 x 2000 mm      | Pure white  |
| WDK60090CW         | 6021913  | 60 x 90 x 2000 mm      | Cream white |
| WDK60090LGR        | 6027113  | 60 x 90 x 2000 mm      | Light grey  |
| WDK60090RW         | 6191207  | 60 x 90 x 2000 mm      | Pure white  |
| WDKH-60090RW       | 6175415  | 60 x 90 x 2000 mm      | Pure white  |
| WDKH-60090LGR      | 6175469  | 60 x 90 x 2000 mm      | Light grey  |
| WDK60110GR         | 6022014  | 60 x 110 x 2000 mm     | Stone grey  |
| WDK60110CW         | 6021840  | 60 x 110 x 2000 mm     | Cream white |
| WDK60110SW         | 6022018  | 60 x 110 x 2000 mm     | Jet black   |
| WDK60110LGR        | 6027121  | 60 x 110 x 2000 mm     | Light grey  |
| WDK60110RW         | 6191215  | 60 x 110 x 2000 mm     | Pure white  |
| WDKH-60110RW       | 6175420  | 60 x 110 x 2000 mm     | Pure white  |
| WDKH-60110LGR      | 6175472  | 60 x 110 x 2000 mm     | Light grey  |
| WDK60130RW         | 6191223  | 60 x 130 x 2000 mm     | Pure white  |
| WDK60130CW         | 6021859  | 60 x 130 x 2000 mm     | Cream white |
| WDK60130LGR        | 6027148  | 60 x 130 x 2000 mm     | Light grey  |
| WDK60130GR         | 6022022  | 60 x 130 x 2000 mm     | Stone grey  |
| WDK60150GR         | 6022030  | 60 x 150 x 2000 mm     | Stone grey  |
| WDK60150CW         | 6021883  | 60 x 150 x 2000 mm     | Cream white |
| WDK60150LGR        | 6027156  | 60 x 150 x 2000 mm     | Light grey  |
| WDK60150RW         | 6191231  | 60 x 150 x 2000 mm     | Pure white  |
| WDKH-60150RW       | 6175425  | 60 x 150 x 2000 mm     | Pure white  |
| WDKH-60150LGR      | 6175475  | 60 x 150 x 2000 mm     | Light grey  |
| WDK60170GR         | 6022049  | 60 x 170 x 2000 mm     | Stone grey  |
| WDK60170CW         | 6021867  | 60 x 170 x 2000 mm     | Cream white |
| WDK60170LGR        | 6027164  | 60 x 170 x 2000 mm     | Light grey  |
| WDK60170RW         | 6191258  | 60 x 170 x 2000 mm     | Pure white  |
| WDK60210GR         | 6022065  | 60 x 210 x 2000 mm     | Stone grey  |
| WDK60210CW         | 6021875  | 60 x 210 x 2000 mm     | Cream white |
| WDK60210LGR        | 6027172  | 60 x 210 x 2000 mm     | Light grey  |
| WDK60210RW         | 6191266  | 60 x 210 x 2000 mm     | Pure white  |
| WDK60230CW         | 6021891  | 60 x 230 x 2000 mm     | Cream white |
| WDK60230LGR        | 6027180  | 60 x 230 x 2000 mm     | Light grey  |
| WDK60230RW         | 6191274  | 60 x 230 x 2000 mm     | Pure white  |
| WDK60230RW<br>1200 | 6191275  | 60 x 230 x 2000 mm     | Pure white  |

**Tab. 17:** Technical data: Plastic cable trunking systems (trunking height 60 mm)

### Trunking height 80 mm

| Type        | Item no. | Dimensions (L x W x H) | Colour        |
|-------------|----------|------------------------|---------------|
| WDK80170GR  | 6026184  | 80 x 170 x 2000 mm     | Stone grey    |
| WDK80170CW  | 6026176  | 80 x 170 x 2000 mm     | Cream white   |
| WDK80170LGR | 6027229  | 80 x 170 x 2000 mm     | Light grey    |
| WDK80170RW  | 6191304  | 80 x 170 x 2000 mm     | Pure white    |
| WDK80170VW  | 6191457  | 80 x 170 x 2000 mm     | Traffic white |
| WDK80210GR  | 6026192  | 80 x 210 x 2000        | Stone grey    |
| WDK80210CW  | 6026206  | 80 x 210 x 2000        | Cream white   |
| WDK80210LGR | 6027237  | 80 x 210 x 2000        | Light grey    |
| WDK80210RW  | 6191312  | 80 x 210 x 2000        | Pure white    |

Tab. 18: Technical data: Plastic cable trunking systems (trunking height 80 mm)

### Trunking height 100 mm

| Type         | Item no. | Dimensions (L x W x H) | Colour      |
|--------------|----------|------------------------|-------------|
| WDK100130GR  | 6026281  | 100 x 130 x 2000 mm    | Stone grey  |
| WDK100130CW  | 6026273  | 100 x 130 x 2000 mm    | Cream white |
| WDK100130LGR | 6027245  | 100 x 130 x 2000 mm    | Light grey  |
| WDK100130RW  | 6191347  | 100 x 130 x 2000 mm    | Pure white  |
| WDK100230GR  | 6026311  | 100 x 230 x 2000 mm    | Stone grey  |
| WDK100230CW  | 6026338  | 100 x 230 x 2000 mm    | Cream white |
| WDK100230LGR | 6027253  | 100 x 230 x 2000 mm    | Light grey  |
| WDK100230RW  | 6191355  | 100 x 230 x 2000 mm    | Pure white  |

Tab. 19: Technical data: Plastic cable trunking systems (trunking height 100 mm)

## 5.2.1 Fittings

### Joint cover

| Type          | Item no. | Dimensions (L x W x H) | Colour        |
|---------------|----------|------------------------|---------------|
| WDK HS10020CW | 6152007  | 10 x 20 mm             | Cream white   |
| WDK HS10020RW | 6154026  | 10 x 20 mm             | Pure white    |
| WDK HS10020VW | 6193480  | 10 x 20 mm             | Traffic white |
| WDK HS10030CW | 6152015  | 10 x 30 mm             | Cream white   |
| WDK HS10030RW | 6154034  | 10 x 30 mm             | Pure white    |
| WDK HS12022RW | 6154042  | 16 x 24 x 13 mm        | Pure white    |
| WDK HS13025RW | 6193498  | 15 x 27 x 50 mm        | Pure white    |
| WDK HS13025PW | 6193496  | 15 x 27 x 50 mm        | Oyster white  |
| WDK HS15030GR | 6158838  | 15 x 30 mm             | Stone grey    |
| WDK HS15030CW | 6152031  | 15 x 30 mm             | Cream white   |
| WDK HS15030RW | 6193501  | 15 x 30 mm             | Pure white    |
| WDK HS15040GR | 6158846  | 15 x 40 mm             | Stone grey    |

| Type          | Item no. | Dimensions (L x W x H) | Colour      |
|---------------|----------|------------------------|-------------|
| WDK HS15040CW | 6152058  | 15 x 40 mm             | Cream white |
| WDK HS15040RW | 6193528  | 15 x 40 mm             | Pure white  |
| WDK HS20050CW | 6152104  | 20 x 50 mm             | Cream white |
| WDK HS20050RW | 6154069  | 20 x 50 mm             | Pure white  |
| WDK HS25040GR | 6158889  | 25 x 40 mm             | Stone grey  |
| WDK HS25040CW | 6152082  | 25 x 40 mm             | Cream white |
| WDK HS25040RW | 6193560  | 25 x 40 mm             | Pure white  |
| WDK HS40090RW | 6193580  | 42 x 93 x 18 mm        | Pure white  |
| WDK HS40090CW | 6193582  | 42 x 93 x 18 mm        | Cream white |
| WDK HS40110RW | 6193586  | 42 x 113 x 18 mm       | Pure white  |
| WDK HS40110CW | 6193588  | 42 x 113 x 18 mm       | Cream white |
| WDK HS60090RW | 6193590  | 62 x 93 x 18 mm        | Pure white  |
| WDK HS60090CW | 6193592  | 62 x 93 x 18 mm        | Cream white |
| WDK HS60110RW | 6193596  | 62 x 113 x 18 mm       | Pure white  |
| WDK HS60110CW | 6193598  | 62 x 113 x 18 mm       | Cream white |

**Tab. 20:** Technical data: Joint covers

### Internal corner/internal corner cover

| Type          | Item no. | Dimensions (L x W x H) | Colour        |
|---------------|----------|------------------------|---------------|
| WDK HI10020CW | 6153003  | 10 x 20 mm             | Cream white   |
| WDK HI10020RW | 6154328  | 10 x 20 mm             | Pure white    |
| WDK HI10020VW | 6192120  | 10 x 20 mm             | Traffic white |
| WDKH-I10020RW | 6175572  | 10 x 20 mm             | Pure white    |
| WDKH-I10020RW | 6176216  | 10 x 20 mm             | Pure white    |
| WDK HI10030CW | 6153011  | 10 x 30 mm             | Cream white   |
| WDK HI10030RW | 6154336  | 10 x 30 mm             | Pure white    |
| WDK HI10030VW | 6192121  | 10 x 30 mm             | Traffic white |
| WDK HI12022RW | 6154342  | 33 x 26 x 33 mm        | Pure white    |
| WDK HI13025RW | 6191835  | 15 x 40 x 40 mm        | Pure white    |
| WDK HI13025PW | 6191833  | 15 x 40 x 40 mm        | Oyster white  |
| WDK HI15030GR | 6158234  | 15 x 30 mm             | Stone grey    |
| WDK HI15030CW | 6160026  | 15 x 30 mm             | Cream white   |
| WDK HI15030RW | 6191843  | 15 x 30 mm             | Pure white    |
| WDK HI15030RW | 6191843  | 15 x 30 mm             | Pure white    |
| WDKH-I15030RW | 6175578  | 15 x 30 mm             | Pure white    |
| WDKH-I15030RW | 6176218  | 15 x 30 mm             | Pure white    |
| WDK HI15040GR | 6158242  | 15 x 40 mm             | Stone grey    |
| WDK HI15040CW | 6160034  | 15 x 40 mm             | Cream white   |
| WDK HI15040RW | 6191851  | 15 x 40 mm             | Pure white    |
| WDK HI15040VW | 6192124  | 15 x 40 mm             | Traffic white |
| WDK HI20020GR | 6158226  | 20 x 20 mm             | Stone grey    |

| Type           | Item no. | Dimensions (L x W x H) | Colour        |
|----------------|----------|------------------------|---------------|
| WDK HI20020CW  | 6160018  | 20 x 20 mm             | Cream white   |
| WDK HI20020LGR | 6182011  | 20 x 20 mm             | Light grey    |
| WDK HI20020RW  | 6191878  | 20 x 20 mm             | Pure white    |
| WDK HI20020VW  | 6192126  | 20 x 20 mm             | Traffic white |
| WDKH-I20020RW  | 6175581  | 20 x 20 mm             | Pure white    |
| WDKH-I20020RW  | 6176220  | 20 x 20 mm             | Pure white    |
| WDK HI20050CW  | 6153089  | 20 x 50 mm             | Cream white   |
| WDK HI20050RW  | 6154360  | 20 x 50 mm             | Pure white    |
| WDK HI20050VW  | 6192127  | 20 x 50 mm             | Traffic white |
| WDK HI25025GR  | 6158250  | 25 x 25 mm             | Stone grey    |
| WDK HI25025CW  | 6160042  | 25 x 25 mm             | Cream white   |
| WDK HI25025LGR | 6182062  | 25 x 25 mm             | Light grey    |
| WDK HI25025RW  | 6191886  | 25 x 25 mm             | Pure white    |
| WDK HI25025VW  | 6192128  | 25 x 25 mm             | Traffic white |
| WDK HI25040GR  | 6158269  | 25 x 40 mm             | Stone grey    |
| WDK HI25040CW  | 6160050  | 25 x 40 mm             | Cream white   |
| WDK HI25040RW  | 6191894  | 25 x 40 mm             | Pure white    |
| WDK HI25040VW  | 6192129  | 25 x 40 mm             | Traffic white |
| WDK HI30030GR  | 6158285  | 30 x 30 mm             | Stone grey    |
| WDK HI25040SW  | 6191760  | 25 x 40 mm             | Jet black     |
| WDK HI30030CW  | 6160077  | 30 x 30 mm             | Cream white   |
| WDK HI30030LGR | 6182097  | 30 x 30 mm             | Light grey    |
| WDK HI30030RW  | 6191924  | 30 x 30 mm             | Pure white    |
| WDK HI30030VW  | 6193840  | 30 x 30 mm             | Traffic white |
| WDK HI30045GR  | 6158307  | 30 x 45 mm             | Stone grey    |
| WDK HI30045CW  | 6160085  | 30 x 45 mm             | Cream white   |
| WDK HI30045LGR | 6182100  | 30 x 45 mm             | Light grey    |
| WDK HI30045RW  | 6191932  | 30 x 45 mm             | Pure white    |
| WDK HI30045VW  | 6193842  | 30 x 45 mm             | Traffic white |
| WDKH-I30045RW  | 6175590  | 30 x 45 mm             | Pure white    |
| WDKH-I30045LGR | 6175968  | 30 x 45 mm             | Light grey    |
| WDK HI40040GR  | 6158293  | 40 x 40 mm             | Stone grey    |
| WDK HI40040CW  | 6160093  | 40 x 40 mm             | Cream white   |
| WDK HI40040LGR | 6182119  | 40 x 40 mm             | Light grey    |
| WDK HI40040RW  | 6191940  | 40 x 40 mm             | Pure white    |
| WDK HI40040VW  | 6192131  | 40 x 40 mm             | Traffic white |
| WDK HI40060GR  | 6021719  | 40 x 60 mm             | Stone grey    |
| WDK HI40060CW  | 6160107  | 40 x 60 mm             | Cream white   |
| WDK HI40060LGR | 6182127  | 40 x 60 mm             | Light grey    |
| WDK HI40060RW  | 6191959  | 40 x 60 mm             | Pure white    |
| WDK HI40060VW  | 6192132  | 40 x 60 mm             | Traffic white |

| Type           | Item no. | Dimensions (L x W x H) | Colour        |
|----------------|----------|------------------------|---------------|
| WDK HI40060SW  | 6191762  | 40 x 60 mm             | Jet black     |
| WDKH-I40060RW  | 6175594  | 40 x 60 mm             | Pure white    |
| WDKH-I40060LGR | 6175972  | 40 x 60 mm             | Light grey    |
| WDK HI40090GR  | 6021190  | 40 x 90 mm             | Stone grey    |
| WDK HI40090CW  | 6160115  | 40 x 90 mm             | Cream white   |
| WDK HI40090LGR | 6182135  | 40 x 90 mm             | Light grey    |
| WDK HI40090RW  | 6191967  | 40 x 90 mm             | Pure white    |
| WDK HI40090VW  | 6192135  | 40 x 90 mm             | Traffic white |
| WDK HI40110GR  | 6021727  | 40 x 110 mm            | Stone grey    |
| WDK HI40110CW  | 6160123  | 40 x 110 mm            | Cream white   |
| WDK HI40110LGR | 6182143  | 40 x 110 mm            | Light grey    |
| WDK HI40110RW  | 6191975  | 40 x 110 mm            | Pure white    |
| WDK HI40110VW  | 6192136  | 40 x 110 mm            | Traffic white |
| WDK HI60060GR  | 6022383  | 60 x 60 mm             | Stone grey    |
| WDK HI60060CW  | 6160301  | 60 x 60 mm             | Cream white   |
| WDK HI60060LGR | 6182194  | 60 x 60 mm             | Light grey    |
| WDK HI60060RW  | 6192017  | 60 x 60 mm             | Pure white    |
| WDK HI60060VW  | 6193844  | 60 x 60 mm             | Traffic white |
| WDK HI60090GR  | 6022219  | 60 x 90 mm             | Stone grey    |
| WDK HI60090CW  | 6160328  | 60 x 90 mm             | Cream white   |
| WDK HI60090LGR | 6182208  | 60 x 90 mm             | Light grey    |
| WDK HI60090RW  | 6192025  | 60 x 90 mm             | Pure white    |
| WDK HI60090VW  | 6193847  | 60 x 90 mm             | Traffic white |
| WDKH-I60090RW  | 6175598  | 60 x 90 mm             | Pure white    |
| WDKH-I60090LGR | 6175976  | 60 x 90 mm             | Light grey    |
| WDK HI60110GR  | 6022235  | 60 x 110 mm            | Stone grey    |
| WDK HI60110CW  | 6160336  | 60 x 110 mm            | Cream white   |
| WDK HI60110LGR | 6182216  | 60 x 110 mm            | Light grey    |
| WDK HI60110RW  | 6192033  | 60 x 110 mm            | Pure white    |
| WDK HI60110VW  | 6193849  | 60 x 110 mm            | Traffic white |
| WDK HI60110SW  | 6191764  | 60 x 110 mm            | Jet black     |
| WDKH-I60110RW  | 6175602  | 60 x 110 mm            | Pure white    |
| WDKH-I60110LGR | 6175980  | 60 x 110 mm            | Light grey    |
| WDK HI60130GR  | 6022251  | 60 x 130 mm            | Stone grey    |
| WDK HI60130CW  | 6160344  | 60 x 130 mm            | Cream white   |
| WDK HI60130LGR | 6182224  | 60 x 130 mm            | Light grey    |
| WDK HI60130RW  | 6192041  | 60 x 130 mm            | Pure white    |
| WDK HI60130VW  | 6193851  | 60 x 130 mm            | Traffic white |
| WDK HI60150GR  | 6024432  | 60 x 150 mm            | Stone grey    |
| WDK HI60150CW  | 6160379  | 60 x 150 mm            | Cream white   |
| WDK HI60150LGR | 6182232  | 60 x 150 mm            | Light grey    |

| Type           | Item no. | Dimensions (L x W x H) | Colour        |
|----------------|----------|------------------------|---------------|
| WDK HI60150RW  | 6192068  | 60 x 150 mm            | Pure white    |
| WDK HI60150VW  | 6193853  | 60 x 150 mm            | Traffic white |
| WDKH-I60150RW  | 6175606  | 60 x 150 mm            | Pure white    |
| WDKH-I60150LGR | 6175984  | 60 x 150 mm            | Light grey    |
| WDK HI60170GR  | 6022286  | 60 x 170 mm            | Stone grey    |
| WDK HI60170CW  | 6160352  | 60 x 170 mm            | Cream white   |
| WDK HI60170LGR | 6182240  | 60 x 170 mm            | Light grey    |
| WDK HI60170RW  | 6192076  | 60 x 170 mm            | Pure white    |
| WDK HI60170VW  | 6193855  | 60 x 170 mm            | Traffic white |
| WDK HI60210GR  | 6022294  | 60 x 210 mm            | Stone grey    |
| WDK HI60210CW  | 6160360  | 60 x 210 mm            | Cream white   |
| WDK HI60210LGR | 6182259  | 60 x 210 mm            | Light grey    |
| WDK HI60210RW  | 6192084  | 60 x 210 mm            | Pure white    |
| WDK HI60210VW  | 6193857  | 60 x 210 mm            | Traffic white |
| WDK HI60230GR  | 6024440  | 60 x 230 mm            | Stone grey    |
| WDK HI60230CW  | 6160395  | 60 x 230 mm            | Cream white   |
| WDK HI60230LGR | 6182267  | 60 x 230 mm            | Light grey    |
| WDK HI60230RW  | 6192092  | 60 x 230 mm            | Pure white    |
| WDK HI60230VW  | 6193859  | 60 x 230 mm            | Traffic white |
| WDK I80170GR   | 6193080  | 329 x 170 x 80 mm      | Stone grey    |
| WDK I80170CW   | 6193078  | 329 x 170 x 80 mm      | Cream white   |
| WDK I80170LGR  | 6193825  | 329 x 170 x 80 mm      | Light grey    |
| WDK I80170RW   | 6193827  | 329 x 170 x 80 mm      | Pure white    |
| WDK I80170VW   | 6193829  | 329 x 170 x 80 mm      | Traffic white |
| WDK I80210GR   | 6193860  | 329 x 210 x 80 mm      | Stone grey    |
| WDK I80210CW   | 6193831  | 329 x 210 x 80 mm      | Cream white   |
| WDK I80210LGR  | 6193864  | 329 x 210 x 80 mm      | Light grey    |
| WDK I80210RW   | 6193866  | 329 x 210 x 80 mm      | Pure white    |
| WDK I80210VW   | 6193868  | 329 x 210 x 80 mm      | Traffic white |
| WDK I100130GR  | 6192421  | 250 x 130 x 100 mm     | Stone grey    |
| WDK I100130CW  | 6192417  | 250 x 130 x 100 mm     | Cream white   |
| WDK I100130LGR | 6192425  | 250 x 130 x 100 mm     | Light grey    |
| WDK I100130RW  | 6192429  | 250 x 130 x 100 mm     | Pure white    |
| WDK I100130VW  | 6193022  | 250 x 130 x 100 mm     | Traffic white |
| WDK I100230GR  | 6193030  | 250 x 230 x 100 mm     | Stone grey    |
| WDK I100230CW  | 6193026  | 250 x 230 x 100 mm     | Cream white   |
| WDK I100230LGR | 6193034  | 250 x 230 x 100 mm     | Light grey    |
| WDK I100230RW  | 6193081  | 250 x 230 x 100 mm     | Pure white    |
| WDK I100230VW  | 6193076  | 250 x 230 x 100 mm     | Traffic white |

**Tab. 21:** Technical data: Internal corner/internal corner cover



**External corner/external corner cover**

| Type           | Item no.  | Dimensions (L x W x H) | Colour        |
|----------------|-----------|------------------------|---------------|
| WDK HA10020CW  | 6153291   | 10 x 20 mm             | Cream white   |
| WDK HA10020RW  | 6154417   | 10 x 20 mm             | Pure white    |
| WDK HA10020VW  | 6192430   | 10 x 20 mm             | Traffic white |
| WDKH-A10020RW  | 6175612   | 10 x 20 mm             | Pure white    |
| WDKH-A10020RW  | 6176222   | 10 x 20 mm             | Pure white    |
| WDK HA10030CW  | 6153305   | 10 x 30 mm             | Cream white   |
| WDK HA10030RW  | 6154425   | 10 x 30 mm             | Pure white    |
| WDK HA10030VW  | 6192432   | 10 x 30 mm             | Traffic white |
| WDK HA12022RW  | 6154432   | 27 x 26 x 27 mm        | Pure white    |
| WDK HA13025RW  | 6192141   | 15 x 40 x 40 mm        | Pure white    |
| WDK HA13025PW  | 6192139   | 15 x 40 x 40 mm        | perlweiß      |
| WDK HA15030GR  | 6158358   | 15 x 30 mm             | Stone grey    |
| WDK HA15030CW  | 6160611   | 15 x 30 mm             | Cream white   |
| WDK HA15030RW  | 6192149   | 15 x 30 mm             | Pure white    |
| WDK HA15030VW  | 6192433   | 15 x 30 mm             | Traffic white |
| WDKH-A15030RW  | 6175618   | 15 x 30 mm             | Pure white    |
| WDKH-A15030RW  | 6176224   | 15 x 30 mm             | Pure white    |
| WDK HA15040GR  | 6158366   | 15 x 40 mm             | Stone grey    |
| WDK HA15040CW  | 6160638   | 15 x 40 mm             | Cream white   |
| WDK HA15040RW  | 6192157   | 15 x 40 mm             | Pure white    |
| WDK HA15040VW  | 6192434   | 15 x 40 mm             | Traffic white |
| WDK HA20020GR  | 6158331   | 20 x 20 mm             | Stone grey    |
| WDK HA20020CW  | 6160603   | 20 x 20 mm             | Cream white   |
| WDK HA20020LGR | 6182402   | 20 x 20 mm             | Light grey    |
| WDK HA20020RW  | 6192165   | 20 x 20 mm             | Pure white    |
| WDK HA20020VW  | 6192436   | 20 x 20 mm             | Traffic white |
| WDKH-A20020RW  | 6175624 2 | 20 x 20 mm             | Pure white    |
| WDKH-A20020LGR | 6176000   | 20 x 20 mm             | Light grey    |
| WDKH-A20020RW  | 6176226   | 20 x 20 mm             | Pure white    |
| WDK HA20050CW  | 6153372   | 20 x 50 mm             | Cream white   |
| WDK HA20050RW  | 6154468   | 20 x 50 mm             | Pure white    |
| WDK HA20050VW  | 6192437   | 20 x 50 mm             | Traffic white |
| WDK HA25025GR  | 6158374   | 25 x 25 mm             | Stone grey    |
| WDK HA25025CW  | 6160646   | 25 x 25 mm             | Cream white   |
| WDK HA25025LGR | 6182445   | 25 x 25 mm             | Light grey    |
| WDK HA25025RW  | 6192173   | 25 x 25 mm             | Pure white    |
| WDK HA25025VW  | 6193800   | 25 x 25 mm             | Traffic white |
| WDK HA25040GR  | 6158382   | 25 x 40 mm             | Stone grey    |
| WDK HA25040CW  | 6160654   | 25 x 40 mm             | Cream white   |

## Mounting the WDK cable trunking

| Type           | Item no. | Dimensions (L x W x H) | Colour        |
|----------------|----------|------------------------|---------------|
| WDK HA25040RW  | 6192181  | 25 x 40 mm             | Pure white    |
| WDK HA25040VW  | 6193802  | 25 x 40 mm             | Traffic white |
| WDK HA25040SW  | 6191774  | 25 x 40 mm             | Jet black     |
| WDK HA30030GR  | 6158404  | 30 x 30 mm             | Stone grey    |
| WDK HA30030CW  | 6160670  | 30 x 30 mm             | Cream white   |
| WDK HA30030LGR | 6182488  | 30 x 30 mm             | Light grey    |
| WDK HA30030RW  | 6192211  | 30 x 30 mm             | Pure white    |
| WDK HA30030VW  | 6193804  | 30 x 30 mm             | Traffic white |
| WDK HA30045GR  | 6158420  | 30 x 45 mm             | Stone grey    |
| WDK HA30045CW  | 6160689  | 30 x 45 mm             | Cream white   |
| WDK HA30045LGR | 6182496  | 30 x 45 mm             | Light grey    |
| WDK HA30045RW  | 6192238  | 30 x 45 mm             | Pure white    |
| WDK HA30045VW  | 6193806  | 30 x 45 mm             | Traffic white |
| WDKH-A30045RW  | 6175626  | 30 x 45 mm             | Pure white    |
| WDKH-A30045LGR | 6176004  | 30 x 45 mm             | Light grey    |
| WDK HA40040GR  | 6158412  | 40 x 40 mm             | Stone grey    |
| WDK HA40040CW  | 6160697  | 40 x 40 mm             | Cream white   |
| WDK HA40040LGR | 6182526  | 40 x 40 mm             | Light grey    |
| WDK HA40040RW  | 6192246  | 40 x 40 mm             | Pure white    |
| WDK HA40040VW  | 6192438  | 40 x 40 mm             | Traffic white |
| WDK HA40060GR  | 6021697  | 40 x 60 mm             | Stone grey    |
| WDK HA40060CW  | 6160700  | 40 x 60 mm             | Cream white   |
| WDK HA40060LGR | 6182534  | 40 x 60 mm             | Light grey    |
| WDK HA40060RW  | 6192254  | 40 x 60 mm             | Pure white    |
| WDK HA40060VW  | 6192439  | 40 x 60 mm             | Traffic white |
| WDK HA40060SW  | 6191776  | 40 x 60 mm             | Jet black     |
| WDK HA60110SW  | 6191778  | 60 x 110 mm            | Jet black     |
| WDKH-A40060RW  | 6175630  | 40 x 60 mm             | Pure white    |
| WDKH-A40060LGR | 6176008  | 40 x 60 mm             | Light grey    |
| WDK HA40090GR  | 6021093  | 40 x 90 mm             | Stone grey    |
| WDK HA40090CW  | 6160719  | 40 x 90 mm             | Cream white   |
| WDK HA40090LGR | 6182542  | 40 x 90 mm             | Light grey    |
| WDK HA40090RW  | 6192262  | 40 x 90 mm             | Pure white    |
| WDK HA40090VW  | 6192440  | 40 x 90 mm             | Traffic white |
| WDK HA40110GR  | 6021700  | 40 x 110 mm            | Stone grey    |
| WDK HA40110CW  | 6160727  | 40 x 110 mm            | Cream white   |
| WDK HA40110LGR | 6182550  | 40 x 110 mm            | Light grey    |
| WDK HA40110RW  | 6192270  | 40 x 110 mm            | Pure white    |
| WDK HA40110VW  | 6192441  | 40 x 110 mm            | Traffic white |
| WDK HA60060GR  | 6022073  | 60 x 60 mm             | Stone grey    |
| WDK HA60060CW  | 6160905  | 60 x 60 mm             | Cream white   |

| Type           | Item no. | Dimensions (L x W x H) | Colour        |
|----------------|----------|------------------------|---------------|
| WDK HA60060LGR | 6182593  | 60 x 60 mm             | Light grey    |
| WDK HA60060RW  | 6192319  | 60 x 60 mm             | Pure white    |
| WDK HA60060VW  | 6193808  | 60 x 60 mm             | Traffic white |
| WDK HA60090GR  | 6022111  | 60 x 90 mm             | Stone grey    |
| WDK HA60090CW  | 6160913  | 60 x 90 mm             | Cream white   |
| WDK HA60090LGR | 6182607  | 60 x 90 mm             | Light grey    |
| WDK HA60090RW  | 6192327  | 60 x 90 mm             | Pure white    |
| WDK HA60090VW  | 6193810  | 60 x 90 mm             | Traffic white |
| WDKH-A60090RW  | 6175634  | 60 x 90 mm             | Pure white    |
| WDKH-A60090LGR | 6176012  | 60 x 90 mm             | Light grey    |
| WDK HA60110GR  | 6022146  | 60 x 110 mm            | Stone grey    |
| WDK HA60110CW  | 6160921  | 60 x 110 mm            | Cream white   |
| WDK HA60110LGR | 6182615  | 60 x 110 mm            | Light grey    |
| WDK HA60110RW  | 6192335  | 60 x 110 mm            | Pure white    |
| WDK HA60110VW  | 6193812  | 60 x 110 mm            | Traffic white |
| WDKH-A60110RW  | 6175638  | 60 x 110 mm            | Pure white    |
| WDKH-A60110LGR | 6176016  | 60 x 110 mm            | Light grey    |
| WDK HA60130GR  | 6022162  | 60 x 130 mm            | Stone grey    |
| WDK HA60130CW  | 6160948  | 60 x 130 mm            | Cream white   |
| WDK HA60130LGR | 6182623  | 60 x 130 mm            | Light grey    |
| WDK HA60130RW  | 6192343  | 60 x 130 mm            | Pure white    |
| WDK HA60130VW  | 6193814  | 60 x 130 mm            | Traffic white |
| WDK HA60150GR  | 6024521  | 60 x 150 mm            | Stone grey    |
| WDK HA60150CW  | 6160972  | 60 x 150 mm            | Cream white   |
| WDK HA60150LGR | 6182631  | 60 x 150 mm            | Light grey    |
| WDK HA60150RW  | 6192351  | 60 x 150 mm            | Pure white    |
| WDK HA60150VW  | 6193816  | 60 x 150 mm            | Traffic white |
| WDKH-A60150RW  | 6175642  | 60 x 150 mm            | Pure white    |
| WDKH-A60150LGR | 6176020  | 60 x 150 mm            | Light grey    |
| WDK HA60170GR  | 6022189  | 60 x 170 mm            | Stone grey    |
| WDK HA60170CW  | 6160956  | 60 x 170 mm            | Cream white   |
| WDK HA60170LGR | 6182658  | 60 x 170 mm            | Light grey    |
| WDK HA60170RW  | 6192378  | 60 x 170 mm            | Pure white    |
| WDK HA60170VW  | 6193818  | 60 x 170 mm            | Traffic white |
| WDK HA60210GR  | 6022197  | 60 x 210 mm            | Stone grey    |
| WDK HA60210CW  | 6160964  | 60 x 210 mm            | Cream white   |
| WDK HA60210LGR | 6182666  | 60 x 210 mm            | Light grey    |
| WDK HA60210RW  | 6192386  | 60 x 210 mm            | Pure white    |
| WDK HA60210VW  | 6193820  | 60 x 210 mm            | Traffic white |
| WDK HA60230GR  | 6024548  | 60 x 230 mm            | Stone grey    |
| WDK HA60230CW  | 6160980  | 60 x 230 mm            | Cream white   |

| Type           | Item no. | Dimensions (L x W x H) | Colour        |
|----------------|----------|------------------------|---------------|
| WDK HA60230LGR | 6182674  | 60 x 230 mm            | Light grey    |
| WDK HA60230RW  | 6192394  | 60 x 230 mm            | Pure white    |
| WDK HA60230VW  | 6193822  | 60 x 230 mm            | Traffic white |
| WDK A80170GR   | 6024689  | 250 x 170 x 80 mm      | Stone grey    |
| WDK A80170CW   | 6024654  | 250 x 170 x 80 mm      | Cream white   |
| WDK A80170LGR  | 6160485  | 250 x 170 x 80 mm      | Light grey    |
| WDK A80170RW   | 6160493  | 250 x 170 x 80 mm      | Pure white    |
| WDK A80170VW   | 6160523  | 250 x 170 x 80 mm      | Traffic white |
| WDK A80210GR   | 6161104  | 329 x 210 x 80 mm      | Stone grey    |
| WDK A80210CW   | 6160550  | 329 x 210 x 80 mm      | Cream white   |
| WDK A80210LGR  | 6161112  | 329 x 210 x 80 mm      | Light grey    |
| WDK A80210RW   | 6161155  | 329 x 210 x 80 mm      | Pure white    |
| WDK A80210VW   | 6161171  | 329 x 210 x 80 mm      | Traffic white |
| WDK A100130GR  | 6024476  | 348 x 130 x 100 mm     | Stone grey    |
| WDK A100130CW  | 6024468  | 348 x 130 x 100 mm     | Cream white   |
| WDK A100130LGR | 6024484  | 348 x 130 x 100 mm     | Light grey    |
| WDK A100130RW  | 6024506  | 348 x 130 x 100 mm     | Pure white    |
| WDK A100130VW  | 6024565  | 348 x 130 x 100 mm     | Traffic white |
| WDK A100230GR  | 6024581  | 348 x 230 x 100 mm     | Stone grey    |
| WDK A100230CW  | 6024573  | 348 x 230 x 100 mm     | Cream white   |
| WDK A100230LGR | 6024611  | 348 x 230 x 100 mm     | Light grey    |
| WDK A100230RW  | 6024630  | 348 x 230 x 100 mm     | Pure white    |
| WDK A100230VW  | 6024638  | 348 x 230 x 100 mm     | Traffic white |

**Tab. 22:** Technical data: Internal corner/internal corner cover

### T piece/T piece cover

| Type          | Item no. | Dimensions (L x W x H) | Colour        |
|---------------|----------|------------------------|---------------|
| WDK HT10020CW | 6152309  | 10 x 20 mm             | Cream white   |
| WDK HT10020RW | 6154115  | 10 x 20 mm             | Pure white    |
| WDKH-T10020RW | 6175684  | 10 x 20 mm             | Pure white    |
| WDKH-T10020RW | 6176234  | 10 x 20 mm             | Pure white    |
| WDK HT10030CW | 6152317  | 10 x 30 mm             | Cream white   |
| WDK HT10030RW | 6154123  | 10 x 30 mm             | Pure white    |
| WDK HT12022RW | 6154132  | 39 x 45 x 14 mm        | Pure white    |
| WDK HT15030GR | 6158463  | 15 x 30 mm             | Stone grey    |
| WDK HT15030CW | 6161928  | 15 x 30 mm             | Cream white   |
| WDK HT15030RW | 6192459  | 15 x 30 mm             | Pure white    |
| WDK HT15030VW | 6193880  | 15 x 30 mm             | Traffic white |
| WDKH-T15030RW | 6175690  | 15 x 30 mm             | Pure white    |
| WDKH-T15030RW | 6176236  | 15 x 30 mm             | Pure white    |
| WDK HT15040GR | 6158471  | 15 x 40 mm             | Stone grey    |

| Type           | Item no. | Dimensions (L x W x H) | Colour        |
|----------------|----------|------------------------|---------------|
| WDK HT15040CW  | 6161936  | 15 x 40 mm             | Cream white   |
| WDK HT15040RW  | 6192467  | 15 x 40 mm             | Pure white    |
| WDK HT15040VW  | 6193882  | 15 x 40 mm             | Traffic white |
| WDK HT20020GR  | 6158455  | 20 x 20 mm             | Stone grey    |
| WDK HT20020CW  | 6161901  | 20 x 20 mm             | Cream white   |
| WDK HT20020LGR | 6182801  | 20 x 20 mm             | Light grey    |
| WDK HT20020RW  | 6192475  | 20 x 20 mm             | Pure white    |
| WDK HT20020VW  | 6193884  | 20 x 20 mm             | Traffic white |
| WDKH-T20020RW  | 6175694  | 20 x 20 mm             | Pure white    |
| WDKH-T20020LGR | 6176072  | 20 x 20 mm             | Light grey    |
| WDKH-T20020RW  | 6176238  | 20 x 20 mm             | Pure white    |
| WDK HT20050CW  | 6152384  | 20 x 50 mm             | Cream white   |
| WDK HT20050RW  | 6154166  | 20 x 50 mm             | Pure white    |
| WDK HT25025GR  | 6158498  | 25 x 25 mm             | Stone grey    |
| WDK HT25025CW  | 6161944  | 25 x 25 mm             | Cream white   |
| WDK HT25025LGR | 6182852  | 25 x 25 mm             | Light grey    |
| WDK HT25025RW  | 6192483  | 25 x 25 mm             | Pure white    |
| WDK HT25025VW  | 6193886  | 25 x 25 mm             | Traffic white |
| WDK HT25040GR  | 6158501  | 25 x 40 mm             | Stone grey    |
| WDK HT25040CW  | 6161952  | 25 x 40 mm             | Cream white   |
| WDK HT25040RW  | 6192491  | 25 x 40 mm             | Pure white    |
| WDK HT25040VW  | 6193888  | 25 x 40 mm             | Traffic white |
| WDK HT30030GR  | 6158536  | 30 x 30 mm             | Stone grey    |
| WDK HT30030CW  | 6161979  | 30 x 30 mm             | Cream white   |
| WDK HT30030LGR | 6182887  | 30 x 30 mm             | Light grey    |
| WDK HT30030RW  | 6192513  | 30 x 30 mm             | Pure white    |
| WDK HT30030VW  | 6193890  | 30 x 30 mm             | Traffic white |
| WDK HT30045GR  | 6158552  | 30 x 45 mm             | Stone grey    |
| WDK HT30045CW  | 6161987  | 30 x 45 mm             | Cream white   |
| WDK HT30045LGR | 6182895  | 30 x 45 mm             | Light grey    |
| WDK HT30045RW  | 6192521  | 30 x 45 mm             | Pure white    |
| WDK HT30045VW  | 6193892  | 30 x 45 mm             | Traffic white |
| WDKH-T30045RW  | 6175698  | 30 x 45 mm             | Pure white    |
| WDKH-T30045LGR | 6176076  | 30 x 45 mm             | Light grey    |
| WDK T80170GR   | 6193414  | 400 x 170 x 80 mm      | Stone grey    |
| WDK T80170CW   | 6193404  | 400 x 170 x 80 mm      | Cream white   |
| WDK T80170LGR  | 6163094  | 400 x 170 x 80 mm      | Light grey    |
| WDK T80170RW   | 6183994  | 400 x 170 x 80 mm      | Pure white    |
| WDK T80170VW   | 6024914  | 400 x 170 x 80 mm      | Traffic white |
| WDK T80210GR   | 6193415  | 400 x 210 x 80 mm      | Stone grey    |
| WDK T80210CW   | 6193406  | 400 x 210 x 80 mm      | Cream white   |

| Type           | Item no. | Dimensions (L x W x H) | Colour        |
|----------------|----------|------------------------|---------------|
| WDK T80210LGR  | 6163096  | 400 x 210 x 80 mm      | Light grey    |
| WDK T80210RW   | 6183996  | 400 x 210 x 80 mm      | Pure white    |
| WDK T80210VW   | 6024916  | 400 x 210 x 80 mm      | Traffic white |
| WDK T100130GR  | 6193410  | 400 x 130 x 100 mm     | Stone grey    |
| WDK T100130CW  | 6193400  | 400 x 130 x 100 mm     | Cream white   |
| WDK T100130LGR | 6163090  | 400 x 130 x 100 mm     | Light grey    |
| WDK T100130RW  | 6183990  | 400 x 130 x 100 mm     | Pure white    |
| WDK T100130VW  | 6024910  | 400 x 130 x 100 mm     | Traffic white |
| WDK T100230GR  | 6193412  | 600 x 230 x 100 mm     | Stone grey    |
| WDK T100230CW  | 6193402  | 600 x 230 x 100 mm     | Cream white   |
| WDK T100230LGR | 6163092  | 600 x 230 x 100 mm     | Light grey    |
| WDK T100230RW  | 6183992  | 600 x 230 x 100 mm     | Pure white    |
| WDK T100230VW  | 6024912  | 600 x 230 x 100 mm     | Traffic white |

**Tab. 23:** Technical data: T piece/T piece cover

### T and cross piece/T and cross piece cover

| Type           | Item no. | Dimensions (L x W x H) | Colour        |
|----------------|----------|------------------------|---------------|
| WDK HT40040GR  | 6158544  | 40 x 40 mm             | Stone grey    |
| WDK HT40040CW  | 6161995  | 40 x 40 mm             | Cream white   |
| WDK HT40040LGR | 6182917  | 40 x 40 mm             | Light grey    |
| WDK HT40040RW  | 6192548  | 40 x 40 mm             | Pure white    |
| WDK HT40040VW  | 6193896  | 40 x 40 mm             | Traffic white |
| WDK HK40060GR  | 6023312  | 40 x 40 mm             | Stone grey    |
| WDK HK40060CW  | 6162002  | 40 x 40 mm             | Cream white   |
| WDK HK40060LGR | 6182925  | 40 x 60 mm             | Light grey    |
| WDK HK40060RW  | 6192556  | 40 x 60 mm             | Pure white    |
| WDK HK40060VW  | 6193898  | 40 x 60 mm             | Traffic white |
| WDKH-T40060RW  | 6175702  | 40 x 60 mm             | Pure white    |
| WDKH-T40060LGR | 6176080  | 40 x 60 mm             | Light grey    |
| WDK HK40090GR  | 6023142  | 40 x 90 mm             | Stone grey    |
| WDK HK40090CW  | 6162010  | 40 x 90 mm             | Cream white   |
| WDK HK40090LGR | 6182933  | 40 x 90 mm             | Light grey    |
| WDK HK40090RW  | 6192564  | 40 x 90 mm             | Pure white    |
| WDK HK40090VW  | 6193902  | 40 x 90 mm             | Traffic white |
| WDK HK40110GR  | 6023339  | 40 x 110 mm            | Stone grey    |
| WDK HK40110CW  | 6162029  | 40 x 110 mm            | Cream white   |
| WDK HK40110LGR | 6182941  | 40 x 110 mm            | Light grey    |
| WDK HK40110RW  | 6192572  | 40 x 110 mm            | Pure white    |
| WDK HK40110VW  | 6193904  | 40 x 110 mm            | Traffic white |
| WDK HK60060GR  | 6023223  | 60 x 60 mm             | Stone grey    |
| WDK HK60060LGR | 6183018  | 60 x 60 mm             | Light grey    |

| Type           | Item no. | Dimensions (L x W x H) | Colour        |
|----------------|----------|------------------------|---------------|
| WDK HK60060RW  | 6192610  | 60 x 60 mm             | Pure white    |
| WDK HK60060VW  | 6193906  | 60 x 60 mm             | Traffic white |
| WDK HK60060CW  | 6162207  | 60 x 60 mm             | Cream white   |
| WDK HK60090GR  | 6023002  | 60 x 90 mm             | Stone grey    |
| WDK HK60090CW  | 6162215  | 60 x 90 mm             | Cream white   |
| WDK HK60090LGR | 6183026  | 60 x 90 mm             | Light grey    |
| WDK HK60090RW  | 6192629  | 60 x 90 mm             | Pure white    |
| WDK HK60090VW  | 6193908  | 60 x 90 mm             | Traffic white |
| WDKH-T60090RW  | 6175706  | 60 x 90 mm             | Pure white    |
| WDKH-T60090LGR | 6176084  | 60 x 90 mm             | Light grey    |
| WDK HK60110GR  | 6023029  | 60 x 110 mm            | Stone grey    |
| WDK HK60110CW  | 6162223  | 60 x 110 mm            | Cream white   |
| WDK HK60110LGR | 6183034  | 60 x 110 mm            | Light grey    |
| WDK HK60110RW  | 6192637  | 60 x 110 mm            | Pure white    |
| WDK HK60110VW  | 6193910  | 60 x 110 mm            | Traffic white |
| WDKH-T60110RW  | 6175710  | 60 x 110 mm            | Pure white    |
| WDKH-T60110LGR | 6176088  | 60 x 110 mm            | Light grey    |
| WDK HK60130GR  | 6023045  | 60 x 130 mm            | Stone grey    |
| WDK HK60130CW  | 6162231  | 60 x 130 mm            | Cream white   |
| WDK HK60130LGR | 6183042  | 60 x 130 mm            | Light grey    |
| WDK HK60130RW  | 6192645  | 60 x 130 mm            | Pure white    |
| WDK HK60130VW  | 6193912  | 60 x 130 mm            | Traffic white |
| WDK HK60150GR  | 6024769  | 60 x 150 mm            | Stone grey    |
| WDK HK60150CW  | 6162274  | 60 x 150 mm            | Cream white   |
| WDK HK60150LGR | 6183050  | 60 x 150 mm            | Light grey    |
| WDK HK60150RW  | 6192653  | 60 x 150 mm            | Pure white    |
| WDK HK60150VW  | 6193914  | 60 x 150 mm            | Traffic white |
| WDKH-T60150RW  | 6175714  | 60 x 150 mm            | Pure white    |
| WDKH-T60150LGR | 6176092  | 60 x 150 mm            | Light grey    |
| WDK HK60170GR  | 6023061  | 60 x 170 mm            | Stone grey    |
| WDK HK60170CW  | 6162258  | 60 x 170 mm            | Cream white   |
| WDK HK60170LGR | 6183069  | 60 x 170 mm            | Light grey    |
| WDK HK60170RW  | 6192661  | 60 x 170 mm            | Pure white    |
| WDK HK60170VW  | 6193916  | 60 x 170 mm            | Traffic white |
| WDK HK60210GR  | 6023126  | 60 x 210 mm            | Stone grey    |
| WDK HK60210CW  | 6162266  | 60 x 210 mm            | Cream white   |
| WDK HK60210LGR | 6183077  | 60 x 210 mm            | Light grey    |
| WDK HK60210RW  | 6192688  | 60 x 210 mm            | Pure white    |
| WDK HK60210VW  | 6193918  | 60 x 210 mm            | Traffic white |
| WDK HK60230GR  | 6024777  | 60 x 230 mm            | Stone grey    |
| WDK HK60230CW  | 6162290  | 60 x 230 mm            | Cream white   |



| Type           | Item no. | Dimensions (L x W x H) | Colour        |
|----------------|----------|------------------------|---------------|
| WDK HK60230LGR | 6183085  | 60 x 230 mm            | Light grey    |
| WDK HK60230RW  | 6192696  | 60 x 230 mm            | Pure white    |
| WDK HK60230VW  | 6193920  | 60 x 230 mm            | Traffic white |

**Tab. 24:** Technical data: T and cross piece/T and cross piece cover

### Flat angle/flat angle cover

| Type           | Item no. | Dimensions (L x W x H) | Colour        |
|----------------|----------|------------------------|---------------|
| WDK HF10020CW  | 6152600  | 10 x 20 mm             | Cream white   |
| WDK HF10020RW  | 6154212  | 10 x 20 mm             | Pure white    |
| WDK HF10020VW  | 6193036  | 10 x 20 mm             | Traffic white |
| WDKH-F10020RW  | 6175648  | 10 x 20 mm             | Pure white    |
| WDKH-F10020RW  | 6176228  | 10 x 20 mm             | Pure white    |
| WDK HF10030CW  | 6152619  | 10 x 30 mm             | Cream white   |
| WDK HF10030RW  | 6154220  | 10 x 30 mm             | Pure white    |
| WDK HF10030VW  | 6193038  | 10 x 30 mm             | Traffic white |
| WDK HF12022RW  | 6154232  | 10 x 30 mm             | Pure white    |
| WDK HF13025RW  | 6192742  | 15 x 50 x 50 mm        | Pure white    |
| WDK HF13025PW  | 6192740  | 15 x 50 x 50 mm        | perlweiß      |
| WDK HF15030GR  | 6158595  | 15 x 30 mm             | Stone grey    |
| WDK HF15030CW  | 6161219  | 15 x 30 mm             | Cream white   |
| WDK HF15030RW  | 6192750  | 15 x 30 mm             | Pure white    |
| WDK HF15030VW  | 6193040  | 15 x 30 mm             | Traffic white |
| WDKH-F15030RW  | 6175654  | 15 x 30 mm             | Pure white    |
| WDKH-F15030RW  | 6176230  | 15 x 30 mm             | Pure white    |
| WDK HF15040GR  | 6158609  | 15 x 40 mm             | Stone grey    |
| WDK HF15040CW  | 6161227  | 15 x 40 mm             | Cream white   |
| WDK HF15040RW  | 6192769  | 15 x 40 mm             | Pure white    |
| WDK HF15040VW  | 6193041  | 15 x 40 mm             | Traffic white |
| WDK HF20020GR  | 6158587  | 20 x 20 mm             | Stone grey    |
| WDK HF20020CW  | 6161200  | 20 x 20 mm             | Cream white   |
| WDK HF20020LGR | 6183212  | 20 x 20 mm             | Light grey    |
| WDK HF20020RW  | 6192777  | 20 x 20 mm             | Pure white    |
| WDK HF20020VW  | 6193043  | 20 x 20 mm             | Traffic white |
| WDKH-F20020RW  | 6175658  | 20 x 20 mm             | Pure white    |
| WDKH-F20020LGR | 6176036  | 20 x 20 mm             | Light grey    |
| WDKH-F20020RW  | 6176232  | 20 x 20 mm             | Pure white    |
| WDK HF20050CW  | 6152686  | 20 x 50 mm             | Cream white   |
| WDK HF20050RW  | 6154255  | 20 x 50 mm             | Pure white    |
| WDK HF20050VW  | 6193044  | 20 x 50 mm             | Traffic white |
| WDK HF25025GR  | 6158617  | 25 x 25 mm             | Stone grey    |
| WDK HF25025CW  | 6161235  | 25 x 25 mm             | Cream white   |



| Type           | Item no. | Dimensions (L x W x H) | Colour        |
|----------------|----------|------------------------|---------------|
| WDK HF25025LGR | 6183255  | 25 x 25 mm             | Light grey    |
| WDK HF25025RW  | 6192785  | 25 x 25 mm             | Pure white    |
| WDK HF25025VW  | 6193045  | 25 x 25 mm             | Traffic white |
| WDK HF25040GR  | 6158625  | 25 x 40 mm             | Stone grey    |
| WDK HF25040CW  | 6161243  | 25 x 40 mm             | Cream white   |
| WDK HF25040RW  | 6192793  | 25 x 40 mm             | Pure white    |
| WDK HF25040VW  | 6193046  | 25 x 40 mm             | Traffic white |
| WDK HF25040SW  | 6191790  | 25 x 40 mm             | Jet black     |
| WDK HF30030GR  | 6158641  | 30 x 30 mm             | Stone grey    |
| WDK HF30030CW  | 6161278  | 30 x 30 mm             | Cream white   |
| WDK HF30030LGR | 6183298  | 30 x 30 mm             | Light grey    |
| WDK HF30030RW  | 6192815  | 30 x 30 mm             | Pure white    |
| WDK HF30030VW  | 6193047  | 30 x 30 mm             | Traffic white |
| WDK HF30045GR  | 6158676  | 30 x 45 mm             | Stone grey    |
| WDK HF30045CW  | 6161286  | 30 x 45 mm             | Cream white   |
| WDK HF30045LGR | 6183301  | 30 x 45 mm             | Light grey    |
| WDK HF30045RW  | 6192823  | 30 x 45 mm             | Pure white    |
| WDK HF30045VW  | 6193048  | 30 x 45 mm             | Traffic white |
| WDKH-F30045RW  | 6175662  | 30 x 45 mm             | Pure white    |
| WDKH-F30045LGR | 6176040  | 30 x 45 mm             | Light grey    |
| WDK HF40040GR  | 6158668  | 40 x 40 mm             | Stone grey    |
| WDK HF40040CW  | 6161294  | 40 x 40 mm             | Cream white   |
| WDK HF40040LGR | 6183336  | 40 x 40 mm             | Light grey    |
| WDK HF40040RW  | 6192831  | 40 x 40 mm             | Pure white    |
| WDK HF40040VW  | 6193050  | 40 x 40 mm             | Traffic white |
| WDK HF40060GR  | 6021735  | 40 x 60 mm             | Stone grey    |
| WDK HF40060CW  | 6161308  | 40 x 60 mm             | Cream white   |
| WDK HF40060LGR | 6183344  | 40 x 60 mm             | Light grey    |
| WDK HF40060RW  | 6192858  | 40 x 60 mm             | Pure white    |
| WDK HF40060VW  | 6193049  | 40 x 60 mm             | Traffic white |
| WDK HF40060SW  | 6191792  | 40 x 60 mm             | Jet black     |
| WDKH-F40060RW  | 6175666  | 40 x 60 mm             | Pure white    |
| WDKH-F40060LGR | 6176044  | 40 x 60 mm             | Light grey    |
| WDK HF40090GR  | 6021336  | 40 x 90 mm             | Stone grey    |
| WDK HF40090CW  | 6161316  | 40 x 90 mm             | Cream white   |
| WDK HF40090LGR | 6183352  | 40 x 90 mm             | Light grey    |
| WDK HF40090RW  | 6192866  | 40 x 90 mm             | Pure white    |
| WDK HF40090VW  | 6193053  | 40 x 90 mm             | Traffic white |
| WDK HF40110GR  | 6021743  | 40 x 110 mm            | Stone grey    |
| WDK HF40110CW  | 6161324  | 40 x 110 mm            | Cream white   |
| WDK HF40110LGR | 6183360  | 40 x 110 mm            | Light grey    |

## Mounting the WDK cable trunking

| Type           | Item no. | Dimensions (L x W x H) | Colour        |
|----------------|----------|------------------------|---------------|
| WDK HF40110RW  | 6192874  | 40 x 110 mm            | Pure white    |
| WDK HF40110VW  | 6193055  | 40 x 110 mm            | Traffic white |
| WDK HF60060GR  | 6022448  | 60 x 60 mm             | Stone grey    |
| WDK HF60060CW  | 6161502  | 60 x 60 mm             | Cream white   |
| WDK HF60060LGR | 6183409  | 60 x 60 mm             | Light grey    |
| WDK HF60060RW  | 6192912  | 60 x 60 mm             | Pure white    |
| WDK HF60060VW  | 6193057  | 60 x 60 mm             | Traffic white |
| WDK HF60090GR  | 6022316  | 60 x 90 mm             | Stone grey    |
| WDK HF60090CW  | 6161510  | 60 x 90 mm             | Cream white   |
| WDK HF60090LGR | 6183417  | 60 x 90 mm             | Light grey    |
| WDK HF60090RW  | 6192920  | 60 x 90 mm             | Pure white    |
| WDK HF60090VW  | 6193059  | 60 x 90 mm             | Traffic white |
| WDKH-F60090RW  | 6175670  | 60 x 90 mm             | Pure white    |
| WDKH-F60090LGR | 6176048  | 60 x 90 mm             | Light grey    |
| WDK HF60110GR  | 6022332  | 60 x 110 mm            | Stone grey    |
| WDK HF60110CW  | 6161529  | 60 x 110 mm            | Cream white   |
| WDK HF60110LGR | 6183425  | 60 x 110 mm            | Light grey    |
| WDK HF60110RW  | 6192939  | 60 x 110 mm            | Pure white    |
| WDK HF60110VW  | 6193061  | 60 x 110 mm            | Traffic white |
| WDK HF60110SW  | 6191794  | 60 x 110 mm            | Jet black     |
| WDKH-F60110RW  | 6175674  | 60 x 110 mm            | Pure white    |
| WDKH-F60110LGR | 6176052  | 60 x 110 mm            | Light grey    |
| WDK HF60130GR  | 6022359  | 60 x 130 mm            | Stone grey    |
| WDK HF60130CW  | 6161537  | 60 x 130 mm            | Cream white   |
| WDK HF60130LGR | 6183433  | 60 x 130 mm            | Light grey    |
| WDK HF60130RW  | 6192947  | 60 x 130 mm            | Pure white    |
| WDK HF60130VW  | 6193063  | 60 x 130 mm            | Traffic white |
| WDK HF60150GR  | 6024599  | 60 x 150 mm            | Stone grey    |
| WDK HF60150CW  | 6161561  | 60 x 150 mm            | Cream white   |
| WDK HF60150LGR | 6183441  | 60 x 150 mm            | Light grey    |
| WDK HF60150RW  | 6192955  | 60 x 150 mm            | Pure white    |
| WDK HF60150VW  | 6193065  | 60 x 150 mm            | Traffic white |
| WDKH-F60150RW  | 6175678  | 60 x 150 mm            | Pure white    |
| WDKH-F60150LGR | 6176056  | 60 x 150 mm            | Light grey    |
| WDK HF60170GR  | 6022375  | 60 x 170 mm            | Stone grey    |
| WDK HF60170CW  | 6161545  | 60 x 170 mm            | Cream white   |
| WDK HF60170LGR | 6183468  | 60 x 170 mm            | Light grey    |
| WDK HF60170RW  | 6192963  | 60 x 170 mm            | Pure white    |
| WDK HF60170VW  | 6193067  | 60 x 170 mm            | Traffic white |
| WDK HF60210GR  | 6022391  | 60 x 210 mm            | Stone grey    |
| WDK HF60210CW  | 6161553  | 60 x 210 mm            | Cream white   |

| Type           | Item no. | Dimensions (L x W x H) | Colour        |
|----------------|----------|------------------------|---------------|
| WDK HF60210LGR | 6183476  | 60 x 210 mm            | Light grey    |
| WDK HF60210RW  | 6192971  | 60 x 210 mm            | Pure white    |
| WDK HF60210VW  | 6193069  | 60 x 210 mm            | Traffic white |
| WDK HF60230GR  | 6024602  | 60 x 230 mm            | Stone grey    |
| WDK HF60230CW  | 6161596  | 60 x 230 mm            | Cream white   |
| WDK HF60230LGR | 6183484  | 60 x 230 mm            | Light grey    |
| WDK HF60230RW  | 6192998  | 60 x 230 mm            | Pure white    |
| WDK HF60230VW  | 6193071  | 60 x 230 mm            | Traffic white |
| WDK F80170GR   | 6182764  | 470 x 170 x 80 mm      | Stone grey    |
| WDK F80170CW   | 6182748  | 470 x 170 x 80 mm      | Cream white   |
| WDK F80170LGR  | 6183523  | 470 x 170 x 80 mm      | Light grey    |
| WDK F80170RW   | 6183531  | 470 x 170 x 80 mm      | Pure white    |
| WDK F80170VW   | 6183558  | 470 x 170 x 80 mm      | Traffic white |
| WDK F80210GR   | 6192107  | 560,5 x 210 x 80 mm    | Stone grey    |
| WDK F80210CW   | 6183574  | 560,5 x 210 x 80 mm    | Cream white   |
| WDK F80210LGR  | 6192111  | 560,5 x 210 x 80 mm    | Light grey    |
| WDK F80210RW   | 6192115  | 560,5 x 210 x 80 mm    | Pure white    |
| WDK F80210VW   | 6192119  | 560,5 x 210 x 80 mm    | Traffic white |
| WDK F100130GR  | 6161716  | 300 x 130 x 100 mm     | Stone grey    |
| WDK F100130CW  | 6161708  | 300 x 130 x 100 mm     | Cream white   |
| WDK F100130LGR | 6161759  | 300 x 130 x 100 mm     | Light grey    |
| WDK F100130RW  | 6161775  | 300 x 130 x 100 mm     | Pure white    |
| WDK F100130VW  | 6182306  | 300 x 130 x 100 mm     | Traffic white |
| WDK F100230GR  | 6182349  | 400 x 230 x 100 mm     | Stone grey    |
| WDK F100230CW  | 6182314  | 400 x 230 x 100 mm     | Cream white   |
| WDK F100230LGR | 6182365  | 400 x 230 x 100 mm     | Light grey    |
| WDK F100230RW  | 6182713  | 400 x 230 x 100 mm     | Pure white    |
| WDK F100230VW  | 6182721  | 400 x 230 x 100 mm     | Traffic white |

**Tab. 25:** Technical data: Internal corner/internal corner cover

### End piece

| Type          | Item no. | Dimensions (L x W x H) | Colour        |
|---------------|----------|------------------------|---------------|
| WDK HE10020CW | 6153593  | 10 x 20 mm             | Cream white   |
| WDK HE10020RW | 6154514  | 10 x 20 mm             | Stone grey    |
| WDK HE10020VW | 6193416  | 10 x 20 mm             | Traffic white |
| WDKH-E10020RW | 6175540  | 10 x 20 mm             | Pure white    |
| WDKH-E10020RW | 6176210  | 10 x 20 mm             | Pure white    |
| WDK HE10030CW | 6153607  | 10 x 30 mm             | Cream white   |
| WDK HE10030RW | 6154522  | 10 x 30 mm             | Pure white    |
| WDK HE10030VW | 6193418  | 10 x 30 mm             | Traffic white |
| WDK HE12022RW | 6154532  | 13 x 24 x 13 mm        | Pure white    |

## Mounting the WDK cable trunking

| Type           | Item no. | Dimensions (L x W x H) | Colour        |
|----------------|----------|------------------------|---------------|
| WDK HE13025RW  | 6193093  | 13 x 25 x 40 mm        | Pure white    |
| WDK HE13025PW  | 6193088  | 13 x 25 x 40 mm        | Oyster white  |
| WDK HE15015GR  | 6158692  | 15 x 15 mm             | Stone grey    |
| WDK HE15015CW  | 6162495  | 15 x 15 mm             | Cream white   |
| WDK HE15015LGR | 6183603  | 15 x 15 mm             | Light grey    |
| WDK HE15015RW  | 6193099  | 15 x 15 mm             | Pure white    |
| WDK HE15015VW  | 6193420  | 15 x 15 mm             | Traffic white |
| WDK HE15015SW  | 6191806  | 15 x 15 mm             | Jet black     |
| WDK HE15030GR  | 6158714  | 15 x 30 mm             | Stone grey    |
| WDK HE15030CW  | 6162517  | 15 x 30 mm             | Cream white   |
| WDK HE15030RW  | 6193102  | 15 x 30 mm             | Pure white    |
| WDK HE15030VW  | 6193423  | 15 x 30 mm             | Traffic white |
| WDKH-E15030RW  | 6175546  | 15 x 30 mm             | Pure white    |
| WDKH-E15030RW  | 6176212  | 15 x 30 mm             | Pure white    |
| WDK HE15040CW  | 6162525  | 15 x 40 mm             | Cream white   |
| WDK HE15040RW  | 6193110  | 15 x 40 mm             | Pure white    |
| WDK HE15040GR  | 6158722  | 15 x 40 mm             | Stone grey    |
| WDK HE15040VW  | 6193424  | 15 x 40 mm             | Traffic white |
| WDK HE20020GR  | 6158706  | 20 x 20 mm             | Stone grey    |
| WDK HE20020CW  | 6162509  | 20 x 20 mm             | Cream white   |
| WDK HE20020LGR | 6183611  | 20 x 20 mm             | Light grey    |
| WDK HE20020RW  | 6193129  | 20 x 20 mm             | Pure white    |
| WDK HE20020VW  | 6193426  | 20 x 20 mm             | Traffic white |
| WDKH-E20020RW  | 6175550  | 20 x 20 mm             | Pure white    |
| WDKH-E20020LGR | 6175928  | 20 x 20 mm             | Light grey    |
| WDKH-E20020RW  | 6176214  | 20 x 20 mm             | Pure white    |
| WDK HE20035GR  | 6158781  | 20 x 35 mm             | Stone grey    |
| WDK HE20035CW  | 6162487  | 20 x 35 mm             | Cream white   |
| WDK HE20035LGR | 6183654  | 20 x 35 mm             | Light grey    |
| WDK HE20035RW  | 6193137  | 20 x 35 mm             | Pure white    |
| WDK HE20035VW  | 6193429  | 20 x 35 mm             | Traffic white |
| WDK HE20050CW  | 6153674  | 20 x 50 mm             | Cream white   |
| WDK HE20050RW  | 6154557  | 20 x 50 mm             | Pure white    |
| WDK HE20050VW  | 6193430  | 20 x 50 mm             | Traffic white |
| WDK HE25025GR  | 6158730  | 25 x 25 mm             | Stone grey    |
| WDK HE25025CW  | 6162533  | 25 x 25 mm             | Cream white   |
| WDK HE25025LGR | 6183662  | 25 x 25 mm             | Light grey    |
| WDK HE25025RW  | 6193145  | 25 x 25 mm             | Pure white    |
| WDK HE25025VW  | 6193431  | 25 x 25 mm             | Traffic white |
| WDK HE25040GR  | 6158749  | 25 x 40 mm             | Stone grey    |
| WDK HE25040CW  | 6162541  | 25 x 40 mm             | Cream white   |

| Type           | Item no. | Dimensions (L x W x H) | Colour        |
|----------------|----------|------------------------|---------------|
| WDK HE25040RW  | 6193153  | 25 x 40 mm             | Pure white    |
| WDK HE25040VW  | 6193432  | 25 x 40 mm             | Traffic white |
| WDK HE25040SW  | 6191808  | 25 x 40 mm             | Jet black     |
| WDK HE30030GR  | 6158765  | 30 x 30 mm             | Stone grey    |
| WDK HE30030CW  | 6162576  | 30 x 30 mm             | Cream white   |
| WDK HE30030LGR | 6183697  | 30 x 30 mm             | Light grey    |
| WDK HE30030RW  | 6193188  | 30 x 30 mm             | Pure white    |
| WDK HE30030VW  | 6193435  | 30 x 30 mm             | Traffic white |
| WDK HE30045GR  | 6158803  | 30 x 45 mm             | Stone grey    |
| WDK HE30045CW  | 6162584  | 30 x 45 mm             | Cream white   |
| WDK HE30045LGR | 6183700  | 30 x 45 mm             | Light grey    |
| WDK HE30045RW  | 6193196  | 30 x 45 mm             | Pure white    |
| WDK HE30045VW  | 6193438  | 30 x 45 mm             | Traffic white |
| WDKH-E30045RW  | 6175554  | 30 x 45 mm             | Pure white    |
| WDKH-E30045LGR | 6175932  | 30 x 45 mm             | Light grey    |
| WDK HE40040GR  | 6158773  | 40 x 40 mm             | Stone grey    |
| WDK HE40040CW  | 6162592  | 40 x 40 mm             | Cream white   |
| WDK HE40040LGR | 6183727  | 40 x 40 mm             | Light grey    |
| WDK HE40040RW  | 6193218  | 40 x 40 mm             | Pure white    |
| WDK HE40040VW  | 6193441  | 40 x 40 mm             | Traffic white |
| WDK HE40060GR  | 6021492  | 40 x 60 mm             | Stone grey    |
| WDK HE40060CW  | 6162606  | 40 x 60 mm             | Cream white   |
| WDK HE40060LGR | 6183735  | 40 x 60 mm             | Light grey    |
| WDK HE40060RW  | 6193226  | 40 x 60 mm             | Pure white    |
| WDK HE40060VW  | 6193444  | 40 x 60 mm             | Traffic white |
| WDKH-E40060RW  | 6175558  | 40 x 60 mm             | Pure white    |
| WDKH-E40060LGR | 6175936  | 40 x 60 mm             | Light grey    |
| WDK HE40090GR  | 6021506  | 40 x 90 mm             | Stone grey    |
| WDK HE40090CW  | 6162614  | 40 x 90 mm             | Cream white   |
| WDK HE40090LGR | 6183743  | 40 x 90 mm             | Light grey    |
| WDK HE40090RW  | 6193234  | 40 x 90 mm             | Pure white    |
| WDK HE40090VW  | 6193447  | 40 x 90 mm             | Traffic white |
| WDK HE40110GR  | 6021514  | 40 x 110 mm            | Stone grey    |
| WDK HE40110CW  | 6162622  | 40 x 110 mm            | Cream white   |
| WDK HE40110LGR | 6183751  | 40 x 110 mm            | Light grey    |
| WDK HE40110RW  | 6193242  | 40 x 110 mm            | Pure white    |
| WDK HE40110VW  | 6193448  | 40 x 110 mm            | Traffic white |
| WDK HE60060GR  | 6022499  | 60 x 60 mm             | Stone grey    |
| WDK HE60060CW  | 6162800  | 60 x 60 mm             | Cream white   |
| WDK HE60060LGR | 6183808  | 60 x 60 mm             | Light grey    |
| WDK HE60060RW  | 6193285  | 60 x 60 mm             | Pure white    |

## Mounting the WDK cable trunking

| Type           | Item no. | Dimensions (L x W x H) | Colour        |
|----------------|----------|------------------------|---------------|
| WDK HE60060VW  | 6193450  | 60 x 60 mm             | Traffic white |
| WDK HE60090GR  | 6022502  | 60 x 90 mm             | Stone grey    |
| WDK HE60090CW  | 6162819  | 60 x 90 mm             | Cream white   |
| WDK HE60090LGR | 6183816  | 60 x 90 mm             | Light grey    |
| WDK HE60090RW  | 6193293  | 60 x 90 mm             | Pure white    |
| WDK HE60090VW  | 6193453  | 60 x 90 mm             | Traffic white |
| WDKH-E60090RW  | 6175562  | 60 x 90 mm             | Pure white    |
| WDKH-E60090LGR | 6175940  | 60 x 90 mm             | Light grey    |
| WDK HE60110GR  | 6022588  | 60 x 110 mm            | Stone grey    |
| WDK HE60110CW  | 6162827  | 60 x 110 mm            | Cream white   |
| WDK HE60110LGR | 6183824  | 60 x 110 mm            | Light grey    |
| WDK HE60110RW  | 6193307  | 60 x 110 mm            | Pure white    |
| WDK HE60110VW  | 6193456  | 60 x 110 mm            | Traffic white |
| WDK HE60110SW  | 6191812  | 60 x 110 mm            | Jet black     |
| WDKH-E60110RW  | 6175566  | 60 x 110 mm            | Pure white    |
| WDKH-E60110LGR | 6175944  | 60 x 110 mm            | Light grey    |
| WDK HE60130GR  | 6022529  | 60 x 130 mm            | Stone grey    |
| WDK HE60130CW  | 6162835  | 60 x 130 mm            | Cream white   |
| WDK HE60130LGR | 6183832  | 60 x 130 mm            | Light grey    |
| WDK HE60130RW  | 6193315  | 60 x 130 mm            | Pure white    |
| WDK HE60130VW  | 6193459  | 60 x 130 mm            | Traffic white |
| WDK HE60150GR  | 6024823  | 60 x 150 mm            | Stone grey    |
| WDK HE60150CW  | 6162878  | 60 x 150 mm            | Cream white   |
| WDK HE60150LGR | 6183840  | 60 x 150 mm            | Light grey    |
| WDK HE60150RW  | 6193323  | 60 x 150 mm            | Pure white    |
| WDK HE60150VW  | 6193462  | 60 x 150 mm            | Traffic white |
| WDKH-E60150RW  | 6175570  | 60 x 150 mm            | Pure white    |
| WDKH-E60150LGR | 6175948  | 60 x 150 mm            | Light grey    |
| WDK HE60170GR  | 6022545  | 60 x 170 mm            | Stone grey    |
| WDK HE60170CW  | 6162843  | 60 x 170 mm            | Cream white   |
| WDK HE60170LGR | 6183859  | 60 x 170 mm            | Light grey    |
| WDK HE60170RW  | 6193331  | 60 x 170 mm            | Pure white    |
| WDK HE60170VW  | 6193465  | 60 x 170 mm            | Traffic white |
| WDK HE60210GR  | 6022561  | 60 x 210 mm            | Stone grey    |
| WDK HE60210CW  | 6162851  | 60 x 210 mm            | Cream white   |
| WDK HE60210LGR | 6183867  | 60 x 210 mm            | Light grey    |
| WDK HE60210RW  | 6193358  | 60 x 210 mm            | Pure white    |
| WDK HE60210VW  | 6193466  | 60 x 210 mm            | Traffic white |
| WDK HE60230GR  | 6024831  | 60 x 230 mm            | Stone grey    |
| WDK HE60230CW  | 6162886  | 60 x 230 mm            | Cream white   |

| Type             | Item no. | Dimensions (L x W x H) | Colour        |
|------------------|----------|------------------------|---------------|
| WDK HE60230LGR   | 6183875  | 60 x 230 mm            | Light grey    |
| WDK HE60230RW    | 6193366  | 60 x 230 mm            | Pure white    |
| WDK HE60230VW    | 6193467  | 60 x 230 mm            | Traffic white |
| WDK HE80170GR    | 6024858  | 80 x 170 mm            | Stone grey    |
| WDK HE80170CW    | 6163009  | 80 x 170 mm            | Cream white   |
| WDK HE80170LGR   | 6183913  | 80 x 170 mm            | Light grey    |
| WDK HE80170RW    | 6193387  | 80 x 170 mm            | Pure white    |
| WDK HE80170VW    | 6193468  | 80 x 170 mm            | Traffic white |
| WDK HE80210GR    | 6024874  | 80 x 210 mm            | Stone grey    |
| WDK HE80210CW    | 6163017  | 80 x 210 mm            | Cream white   |
| WDK HE80210LGR   | 6183921  | 80 x 210 mm            | Light grey    |
| WDK HE80210RW    | 6193391  | 80 x 210 mm            | Pure white    |
| WDK HE80210VW    | 6193470  | 80 x 210 mm            | Traffic white |
| WDK HE100130GR   | 6024882  | 100 x 130 mm           | Stone grey    |
| WDK HE100130CW   | 6163041  | 100 x 130 mm           | Cream white   |
| WDK HE100130L-GR | 6183956  | 100 x 130 mm           | Light grey    |
| WDK HE100130RW   | 6193395  | 100 x 130 mm           | Pure white    |
| WDK HE100130VW   | 6193476  | 100 x 130 mm           | Traffic white |
| WDK HE100230GR   | 6024904  | 100 x 230 mm           | Stone grey    |
| WDK HE100230CW   | 6163076  | 100 x 230 mm           | Cream white   |
| WDK HE100230L-GR | 6183980  | 100 x 230 mm           | Light grey    |
| WDK HE100230RW   | 6193399  | 100 x 230 mm           | Pure white    |
| WDK HE100230VW   | 6193478  | 100 x 230 mm           | Traffic white |

Tab. 26: Technical data: End piece

### Pipe adapter

| Type             | Item no. | Dimensions (L x W x H) | Colour       |
|------------------|----------|------------------------|--------------|
| WDK HPC13025RW16 | 6193710  | 15 x 27 x 50 mm        | Pure white   |
| WDK HPC13025PW16 | 6193708  | 15 x 27 x 50 mm        | Oyster white |
| WDK HPC13025RW19 | 6193730  | 15 x 27 x 50 mm        | Pure white   |
| WDK HPC13025PW19 | 6193728  | 15 x 27 x 50 mm        | Oyster white |
| WDK HPC13025RW20 | 6193729  | 15 x 27 x 50 mm        | Pure white   |
| WDK HPC13025PW20 | 6193731  | 15 x 27 x 50 mm        | Oyster white |

Tab. 27: Technical data: Pipe adapter

## 5.2.2 Accessories

### Cover

| Type       | Item no. | Dimensions (L x W x H) | Colour     |
|------------|----------|------------------------|------------|
| 2410 25LGR | 6028047  | 25 x 2000 mm           | Light grey |

| Type       | Item no. | Dimensions (L x W x H) | Colour      |
|------------|----------|------------------------|-------------|
| 2410 40GR  | 6022669  | 40 x 2000 mm           | Stone grey  |
| 2410 40CW  | 6027601  | 40 x 2000 mm           | Cream white |
| 2410 40RW  | 6191568  | 40 x 2000 mm           | Pure white  |
| 2410 60GR  | 6022685  | 60 x 2000 mm           | Stone grey  |
| 2410 60CW  | 6027660  | 60 x 2000 mm           | Cream white |
| 2410 60LGR | 6028136  | 60 x 2000 mm           | Light grey  |
| 2410 60RW  | 6191592  | 60 x 2000 mm           | Pure white  |
| 2410 90GR  | 6022707  | 90 x 2000 mm           | Stone grey  |
| 2410 90CW  | 6027636  | 90 x 2000 mm           | Cream white |
| 2410 110CW | 6027644  | 110 x 2000 mm          | Cream white |
| 2410 130GR | 6022723  | 130 x 2000 mm          | Stone grey  |
| 2410 130CW | 6027652  | 130 x 2000 mm          | Cream white |
| 2410 130RW | 6191657  | 130 x 2000 mm          | Pure white  |
| 2410 150GR | 6022731  | 150 x 2000 mm          | Stone grey  |
| 2410 150RW | 6191673  | 150 x 2000 mm          | Pure white  |
| 2410 170CW | 6027679  | 170 x 2000 mm          | Cream white |
| 2410 210GR | 6022774  | 210 x 2000 mm          | Stone grey  |
| 2410 210CW | 6027687  | 210 x 2000 mm          | Cream white |
| 2410 210RW | 6191738  | 210 x 2000 mm          | Pure white  |
| 2410 230CW | 6027504  | 230 x 2000 mm          | Cream white |
| 2410 230RW | 6191754  | 230 x 2000 mm          | Pure white  |

**Tab. 28:** Technical data: Cover

### Partition

| Type         | Item no. | Dimensions (L x W x H) | Colour     |
|--------------|----------|------------------------|------------|
| 2371 40      | 6023096  | 40 x 2000 mm           | Light grey |
| WDKH-TW40LGR | 6175500  | 15 x 28 x 2000 mm      | Light grey |
| 2371 60      | 6023118  | 60 x 2000 mm           | Light grey |
| WDKH-TW60LGR | 6175504  | 15 x 50 x 2000 mm      | Light grey |
| 2371 80      | 6026982  | 80 x 2000 mm           | Light grey |
| 2371 100     | 6026990  | 100 x 2000 mm          | Light grey |

**Tab. 29:** Technical data: Partition

### Cover clip

| Typ     | Item no. | Dimensions (L x W x H) | Colour     |
|---------|----------|------------------------|------------|
| 2370 60 | 6022995  | 60 mm                  | Light grey |
| OTK H60 | 6176122  | 49 x 29 mm             | Pure white |
| 2370 90 | 6023509  | 90 mm                  | Light grey |
| OTK H90 | 6176125  | 75,5 x 29 mm           | Pure white |



| Typ      | Item no. | Dimensions (L x W x H) | Colour     |
|----------|----------|------------------------|------------|
| 2370 110 | 6023517  | 110 mm                 | Light grey |
| OTK H110 | 6176128  | 96 x 29 mm             | Pure white |
| 2370 130 | 6023525  | 130 mm                 | Light grey |
| 2370 150 | 6023533  | 150 mm                 | Light grey |
| OTK H150 | 6176131  | 116 x 29 mm            | Pure white |
| 2370 170 | 6023541  | 170 mm                 | Light grey |
| 2370 210 | 6023576  | 210 mm                 | Light grey |
| 2370 230 | 6023584  | 230 mm                 | Light grey |

**Tab. 30:** Technical data: Cover clip

### Device installation socket/device support

| Type         | Item no. | Dimensions (L x W x H) | Colour     |
|--------------|----------|------------------------|------------|
| 2390         | 6023207  | 71 x 71 x 57 mm        | Light grey |
| 2392         | 6024009  | 100 x 100 x 53 mm      | Light grey |
| WDK GT1M45RW | 6154893  | 74 x 127 x 47 mm       | Pure white |

**Tab. 31:** Technical data: Device installation socket/device support

## 5.3 WDK universal trunking

### End piece

| Type        | Item no. | Dimensions (L x W x H) | Colour     |
|-------------|----------|------------------------|------------|
| RK-E1117LGR | 6156231  | 127 x 175 mm           | Light grey |
| RK-E1117GR  | 6156223  | 127 x 175 mm           | Stone grey |
| WDKMD4      | 6150015  | 4,5 x 9 x 2000 mm      | Light grey |

**Tab. 32:** Technical data: End piece, universal trunking

### Cover

| Type        | Item no. | Dimensions (L x W x H) | Colour     |
|-------------|----------|------------------------|------------|
| 2410 110RW  | 6191630  | 110 x 2000 mm          | Pure white |
| 2410 110LGR | 6028152  | 110 x 2000 mm          | Light grey |
| 2410 110GR  | 6022715  | 110 x 2000 mm          | Stone grey |
| 2410 170RW  | 6191703  | 170 x 2000 mm          | Pure white |
| 2410 170LGR | 6028187  | 170 x 2000 mm          | Light grey |
| 2410 170GR  | 6022758  | 170 x 2000 mm          | Stone grey |

**Tab. 33:** Technical data: Cover, universal trunking

### Cover clip

| Type     | Item no. | Dimensions (L x W x H) | Colour |
|----------|----------|------------------------|--------|
| RK-K1117 | 6156207  | 166 x 120 mm           | -      |

**Tab. 34:** Technical data: Cover clip, universal trunking







**OBO Bettermann Holding GmbH & Co. KG**

Postfach 1120  
58694 Menden  
DEUTSCHLAND

**Technical Office**

Tel.: +49 2373 89 - 13 00

[technical-office@obo.de](mailto:technical-office@obo.de)

[www.obo-bettermann.com](http://www.obo-bettermann.com)

Stand XX/2024

261014.02

---

**Building Connections**

